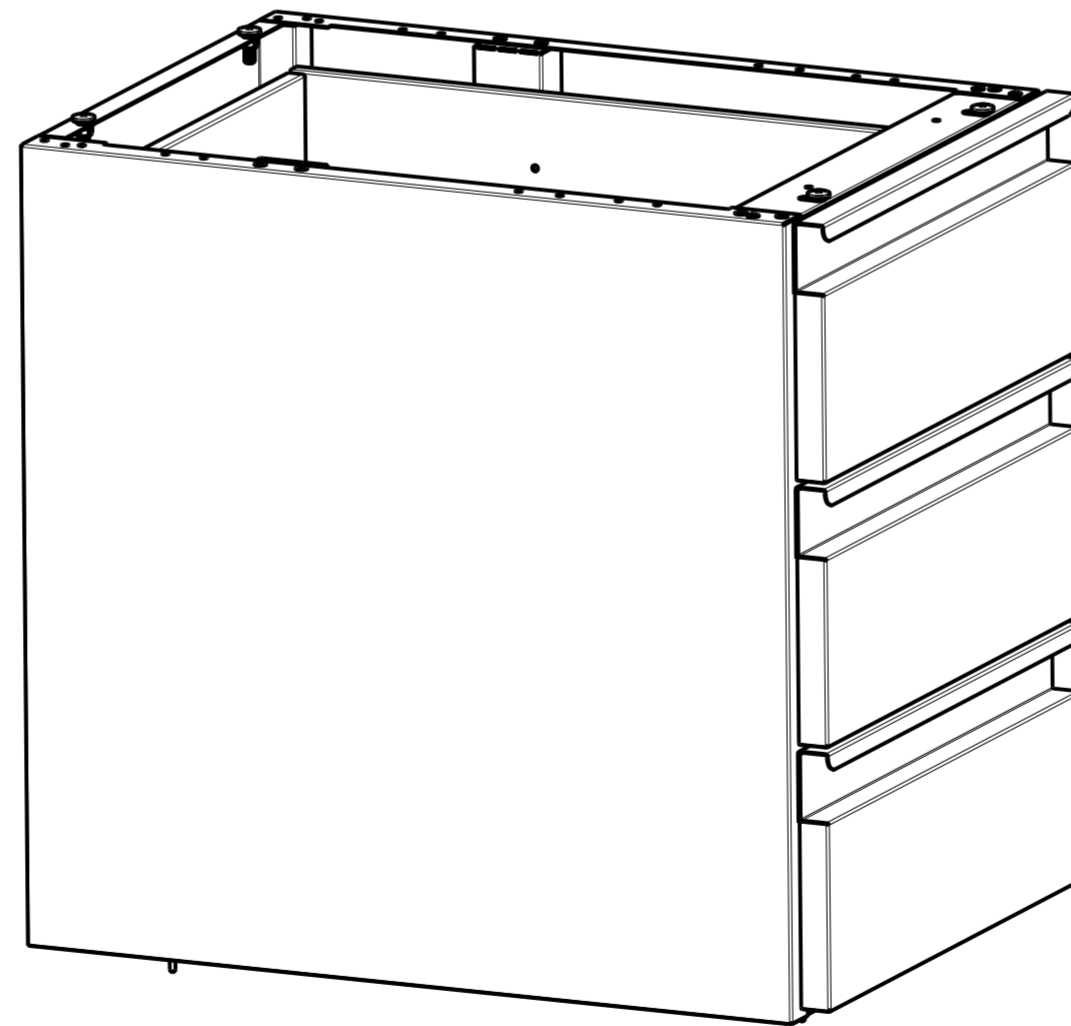
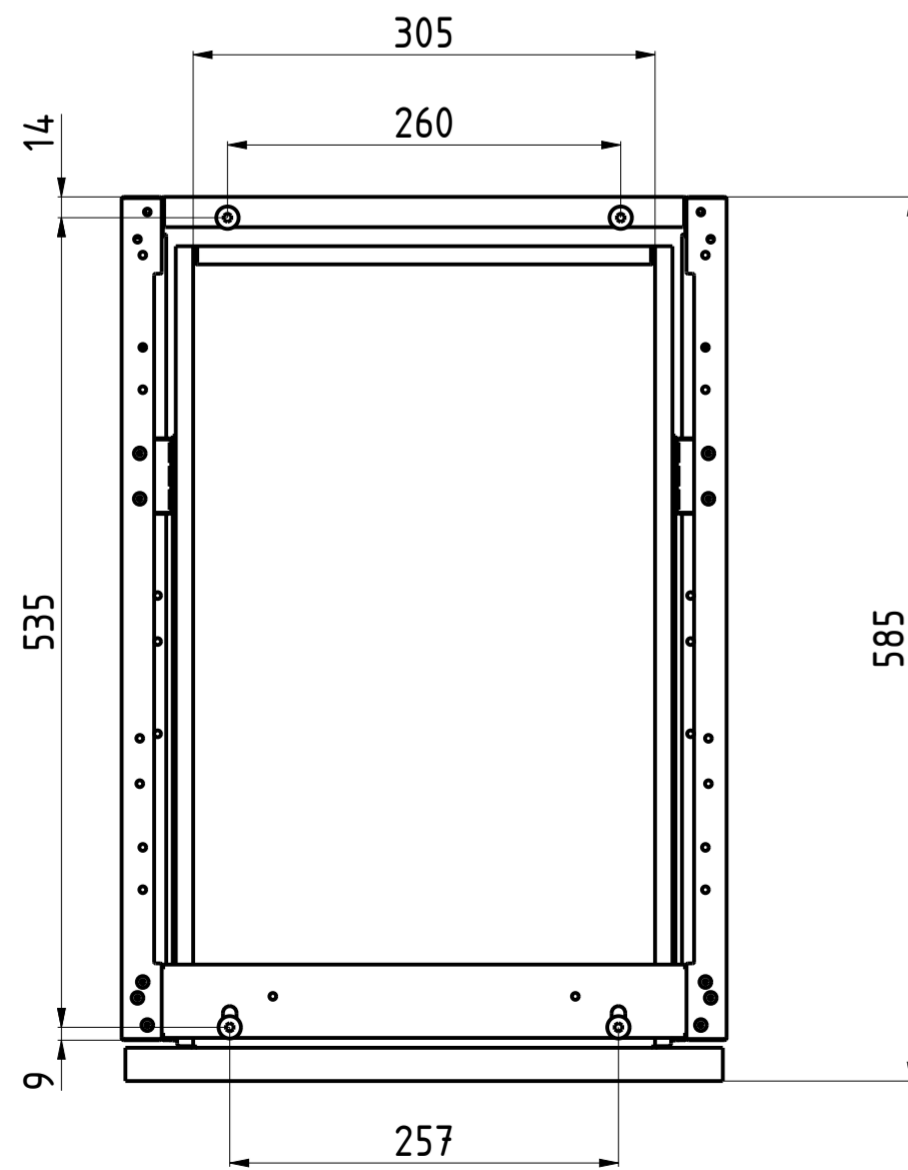
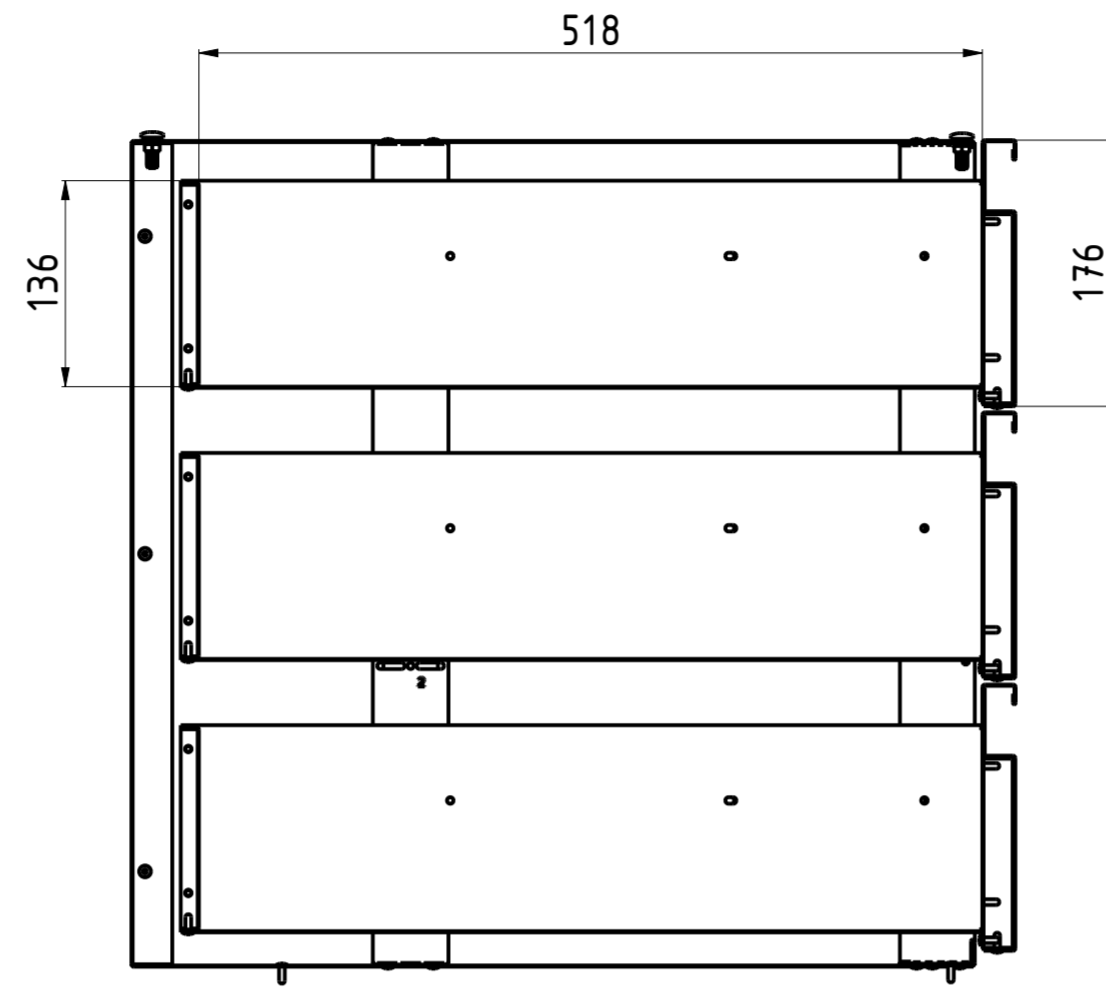
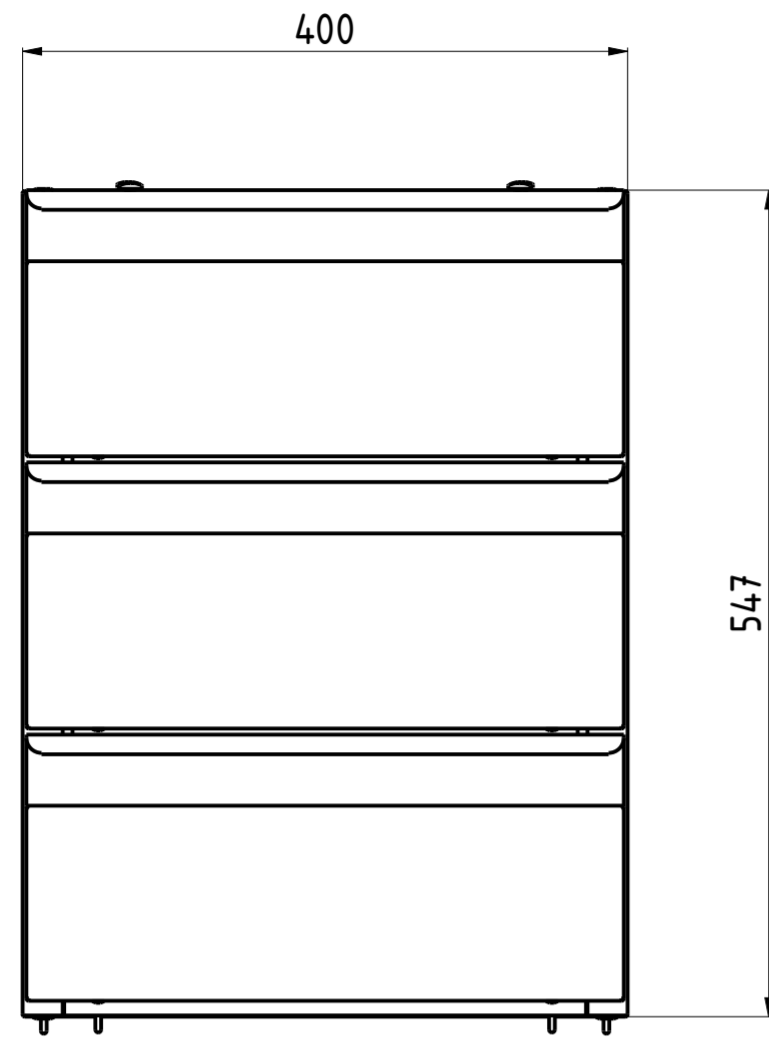


MOD : CRB3-SA6

Production code : DSC3E405854DIA



SCHEDA TECNICA / DATA SHEET	
MODELLO / MODEL: CRB3-SA6	
ASSIEME CASSETTIERA APERTA 3 CASSETTI 400X700X540 DIA	
mm	

QUOTE SENZA TOLLERANZA	TOLLERANCE UNLESS OTHERWISE STATED											
0-5	5-10	10-18	18-30	30-50	50-80	80-120	120-180	180-250	250-315	315-400	400-500	>500
±0.10	±0.15	±0.20	±0.25	±0.30	±0.35	±0.40	±0.45	±0.50	±0.55	±0.60	±0.65	±0.75
LUNGH. E DIAM. / LENGTH AND DIAM.	ANGOLI / Angles											
	±0.30°											
	XX QUOTA PRIMARIA / PRIMARY DIMENSION											
	ELABORATO CON SISTEMA CAD / DESIGNED BY CAD/STEM											