



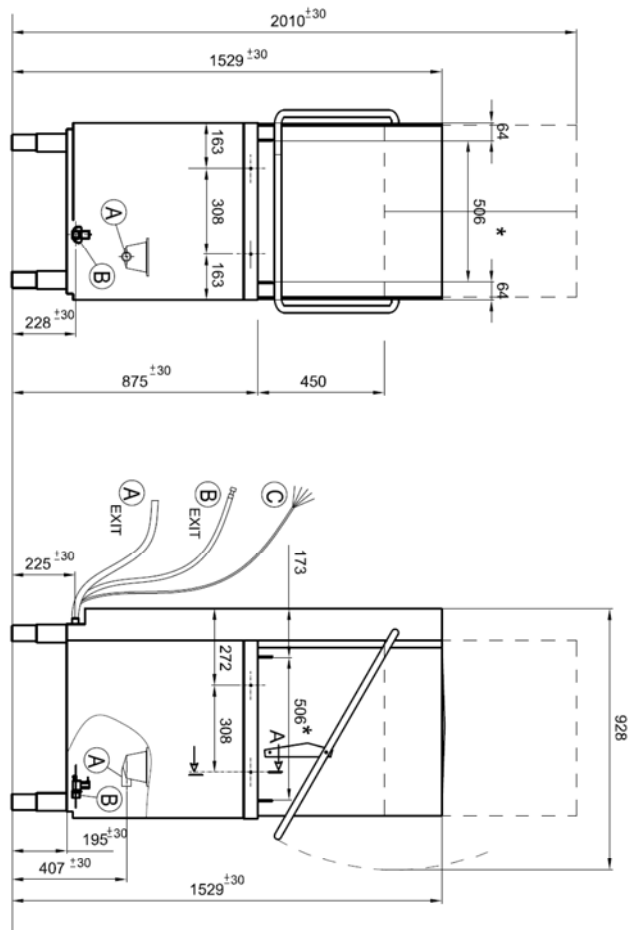
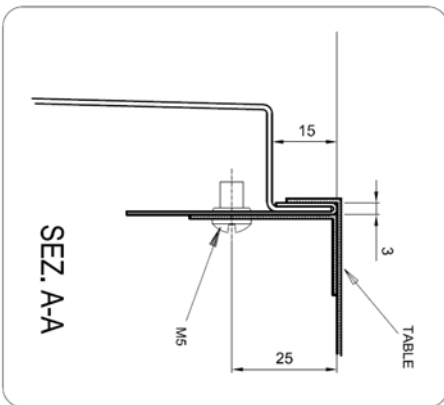
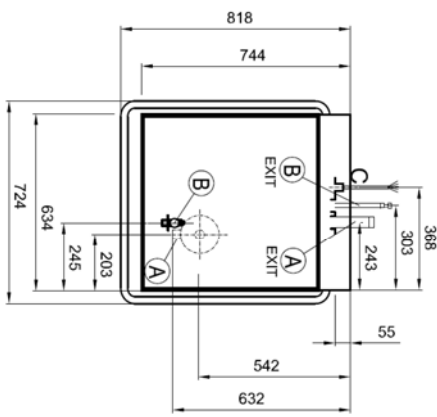
10/2019

# **Mod: 015-25D/6**

**Production code: GH50STBE**

↘	<b>Model</b>	<b>015-25/6</b>		
	<b>Code Production</b>	GH50STBE		
	Interface :			
				
↕	<b>Overall Dimension (Width-Depth-Height) *open</b>		<b>mm</b>	<b>724x818x1529(2010*)</b>
	<b>Packaging Dimension (WxDxH)</b>		<b>mm</b>	<b>760x840x1520</b>
	<b>Gross weight</b>		<b>Kg</b>	<b>117</b>
	<b>Net weight</b>		<b>Kg</b>	<b>107</b>
	<b>Volume</b>		<b>mc</b>	<b>0,97</b>
□	<b>Rack size</b>		<b>mm</b>	<b>500x500</b>
	<b>Max door /hood opening</b>		<b>mm</b>	<b>450</b>
	<b>Max glasses/plate Height</b>		<b>mm</b>	<b>425 / 440</b>
	<b>General construction</b>			<b>single skin</b>
	<b>Door/hood Construction</b>			<b>single skin</b>
↘	<b>Tank construction</b>			<b>deep drawn</b>
	<b>Tank volume</b>		<b>liter</b>	<b>20</b>
	<b>Tank heating element</b>		<b>W</b>	<b>2.500</b>
	<b>Tank surface strainers</b>			<b>stainless steel</b>
⚙️	<b>Wash pump type</b>			<b>double flow</b>
	<b>Wash pump power</b>		<b>W</b>	<b>700</b>
	<b>Wash temperature</b>		<b>°C</b>	<b>55</b>
↘	<b>Boiler type</b>			<b>pressurized</b>
	<b>Boiler volume</b>		<b>liter</b>	<b>6</b>
	<b>Back-flow system</b>			<b>valve</b>
	<b>Boiler heating element</b>		<b>W</b>	<b>8.000</b>
⚙️	<b>Rinse booster pump</b>			<b>no</b>
	<b>Rinse booster pump power</b>		<b>W</b>	<b>-</b>
	<b>Rinse temperature</b>		<b>°C</b>	<b>80</b>
	<b>Rinse water consumption</b>		<b>Liter /rack</b>	<b>2,6</b>
	<b>Optimal external water pressure</b>		<b>bar</b>	<b>2</b>
🚰	<b>Drain system</b>			<b>overflow</b>
	<b>Drain pump</b>			<b>KIT (DPS-LC/4-NP)</b>
▶	<b>Rinse aid dispenser</b>			<b>YES</b>
	<b>Detergent dispenser</b>			<b>KIT (DD-LC/1-NP)</b>
⚙️/⚡	<b>Wash cycle</b>		<b>sec</b>	<b>60 - 120</b>
	<b>Water softner</b>		<b>continuous type</b>	<b>NO</b>
⚡	<b>Electric Power</b>		<b>W</b>	<b>8.700</b>
	<b>Electric Connection</b>		<b>V - ph - Hz</b>	<b>400V 3N 50Hz</b>
	<b>Fuse</b>		<b>A</b>	<b>16</b>
▶	<b>Plates racks</b>		<b>Nr</b>	<b>YES</b>
	<b>Flat Rack</b>		<b>Nr</b>	<b>YES</b>
	<b>Cutterly Rack</b>		<b>Nr</b>	<b>YES</b>
	<b>Electric cable</b>			<b>YES</b>
	<b>Drain hose</b>			<b>YES</b>
	<b>Fill hose</b>			<b>YES</b>

A		∅ 35 mm M	A	EXIT	∅ 35 mm M
B		G 3/4" M	B	EXIT	G 3/4" F
C		Power supply			



\* LUCE UTILE PER CESTELLO  
USEFUL SPACE FOR BASKET  
LUMIERE UTILE POUR PANIER  
NUTZBARE OFFENUNG FÜR KORBE  
ABERTURA UTILI PARA CESTO

Designed by: M.P.UCCI  
Date: 30/09/2014

Installation layout

Hood type

Code: GH50 00

