
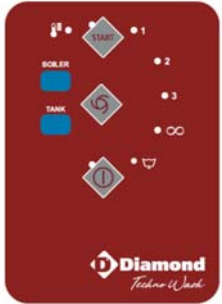



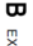




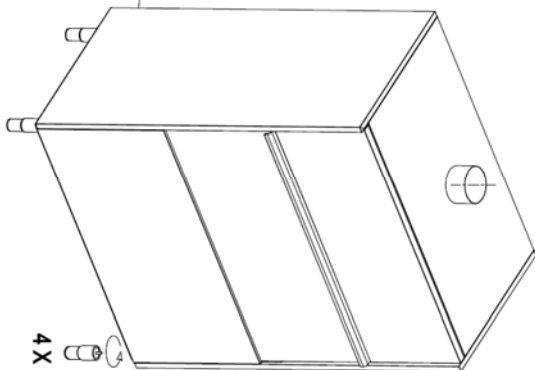
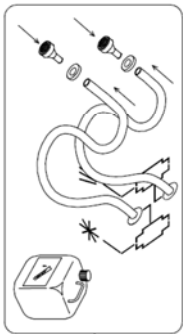
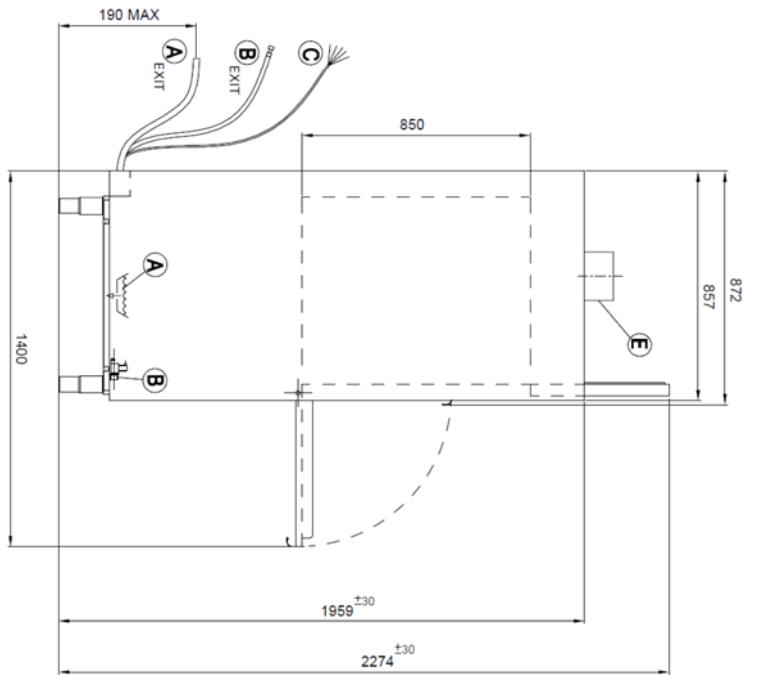
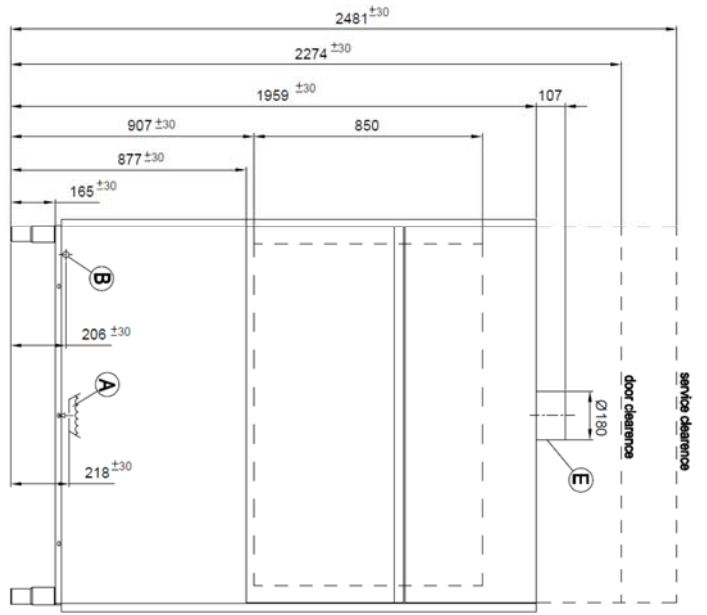
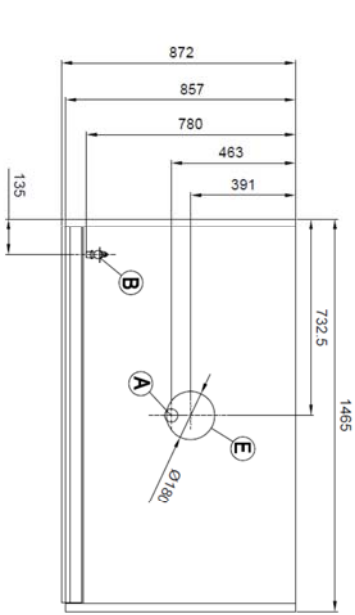
10/2019

Mod: DP32L/8P

Production code: LP712BEDD

↘	Model	DP32L-8P	
	Code Production	LP712BEDD	
	Interface :		
			
↕	Overall Dimension (Width-Depth-Height) *open	<i>mm</i>	1465x857(*1400)x1959(*2274)
	Packaging Dimension (WxDxH)	<i>mm</i>	1750x1100x2200
	Gross weight	<i>Kg</i>	317
	Net weight	<i>Kg</i>	301
	Volume	<i>mc</i>	3,85
□	Rack size	<i>mm</i>	1320x700
	Max door /hood opening	<i>mm</i>	850
	Max glasses/plate Height	<i>mm</i>	800
	General construction		<i>double skin</i>
	Door/hood Construction		<i>double skin</i>
↘	Tank construction		<i>fully deep drawn</i>
	Tank volume	<i>liter</i>	131
	Tank heating element	<i>W</i>	10.500
	Tank surface strainers		<i>stainless steel</i>
⚙️	Wash pump type		<i>double flow</i>
	Wash pump power	<i>W</i>	2 X 2.700
	Wash temperature	<i>°C</i>	60-65
↘	Boiler type		<i>without pressure</i>
	Boiler volume	<i>liter</i>	17
	Back-flow system		<i>break tank</i>
	Boiler heating element	<i>W</i>	10.500
⚙️	Rinse booster pump		<i>yes</i>
	Rinse booster pump power	<i>W</i>	200 x 2
	Rinse temperature	<i>°C</i>	80-85
	Rinse water consumption	<i>Liter /rack</i>	6
	Optimal external water pressure	<i>bar</i>	1 - 6
🌊	Drain system		<i>overflow</i>
	Drain filter		<i>double filter</i>
	Drain pump		<i>optional</i>
▶	Rinse aid dispenser		<i>YES</i>
	Detergent dispenser		<i>YES</i>
⚡	Wash cycle	<i>sec</i>	120 - 240 - 360 - continuous
	Electric Power	<i>W</i>	15.900
	Electric Connection	<i>V - ph - Hz</i>	400V 3N 50Hz
	Fuse	<i>A</i>	32
▶	Flat rack in stainless steel with slids	<i>N°1</i>	YES
	Tray supports in stainless steel	<i>N°1</i>	YES
	Electric cable		YES
	Drain hose		YES
	Fill hose		YES

A		∅ 50mm M	A EXIT 	∅ 32 mm M
B		G 3/4" M	B EXIT 	G 3/4" F
C		Power supply	E 	Steam exhaust



Designed by: M.PIERI
Date: 12.10.2018

Installation layout

Denomination: Utensil washer

Code: LP7 00

