

01/2019

Mod: G22/F23CEA4-S

Production code: 393333



Diamond
catering equipment

Modular Cooking Range Line ECO 90 One Well Gas Fryer 23 liter with electronic control

ITEM # _____

MODEL # _____

NAME # _____

SIS # _____

AIA # _____



393333 (N9KKHBBAMCG)

23-lt gas fryer with 1 "V" shaped well (external burners), electronic control, programmable and 2 half size baskets

Short Form Specification

Item No. _____

High efficiency 25 kW burners in stainless steel. Suitable for natural gas or LPG. Deep drawn V-Shaped well and equipped with electronic control panel. Oil drains through a tap into a container positioned under the well. Melting function to safely heat-up solid shortening used to fry products. Height adjustable feet in stainless steel. Exterior panels in stainless steel. Worktop in 20/10, stainless steel. Right-angled side edges eliminate gaps and possible dirt traps between units.

APPROVAL: _____

Main Features

- Deep drawn V-Shaped well.
- High efficiency 25 kW burners in stainless steel with flame failure device attached to the outside of the well.
- Built-in smart electronic control system to monitor the temperature during frying to guarantee the safety of the process.
- Flame failure device on each burner.
- Overheat protection thermostat as standard on all units.
- All major compartments located in front of unit for ease of maintenance.
- Unit to be equipped with electronic control panel.
- IPX5 water resistance certification.
- The special design of the control panel offers a better guarantee against oil infiltration.
- Supplied as standard with 2 half size baskets and 1 right side door for cupboard.
- Thermostatic regulation of oil temperature up to a maximum of 190 °C.

Construction

- All exterior panels in Stainless Steel with Scotch Brite finishing.
- Model has right-angled side edges to allow flush fitting joints between units, eliminating gaps and possible dirt traps.
- Interior of well with rounded corners for ease of cleaning.
- Unit is 900mm deep to give a larger working surface area.
- Unit delivered with four 50 mm legs in stainless steel as standard.

Included Accessories

- 1 of Door for open base cupboard PNC 206350
- 1 of 2 half size baskets for 18/23 lt fryers PNC 927223

Optional Accessories

- OIL FILTER S/S FOR 23 LT FRYERS PNC 200086
- Junction sealing kit PNC 206086
- Draught diverter, 120 mm diameter PNC 206126
- Matching ring for flue condenser, 120 mm diameter PNC 206127
- Kit 4 wheels - 2 swivelling with brake - it is mandatory to install base support and wheels PNC 206135
- Flanged feet kit PNC 206136
- Pair of side kicking strips (not for refr-freezer base) PNC 206180
- Frontal kicking strip for 23lt fryers in two parts PNC 206203
- Extension pipe for oil drainage for fryers PNC 206209
- Chimney upstand, 400mm PNC 206303
- Flue condenser for 1/2 module, 120 mm diameter PNC 206310

Modular Cooking Range Line ECO 90 One Well Gas Fryer 23 liter with electronic control

- Base support for feet or wheels (lateral) for 23lt PNC 206372
fryers, pastacookers and refrigerated bases
- SEDIMENT TRAY FOR 23LT FRYER PNC 921023
- 2 half baskets for 18/23lt fryers with front hook PNC 927200
- 1 full basket for 18/23lt fryers with front hook PNC 927201
- 2 half size baskets for 18/23 lt fryers PNC 927223
- Pressure regulator for gas units PNC 927225
- 1 full size basket for 18/23 lt fryers PNC 927226
- Unclogging rod for 23lt fryers drainage pipe PNC 927227
- Deflector for floured products for 23lt fryers PNC 960645



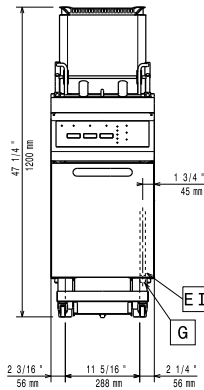
**Modular Cooking Range Line
ECO 90 One Well Gas Fryer 23 liter with electronic control**

The company reserves the right to make modifications to the products without prior notice. All information correct at time of printing.

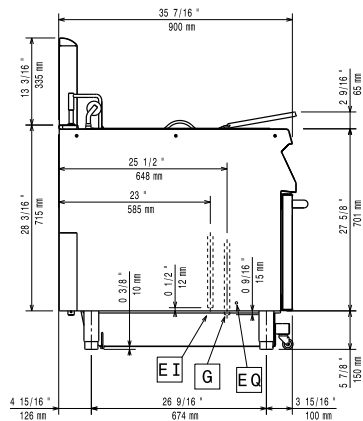
2018.08.03

Modular Cooking Range Line ECO 90 One Well Gas Fryer 23 liter with electronic control

Front

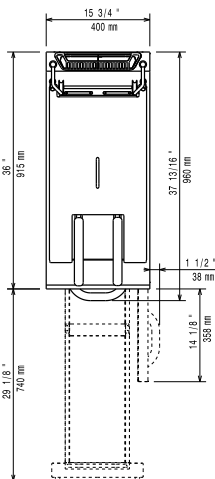


Side



EQ = Equipotential screw
G = Gas connection

Top



Gas

Gas Power:

393333 (N9KKHBBAMCG) 85225 Btu/hr (26 kW)

Gas Type Option:

LPG; Natural Gas

Gas Inlet:

1/2"

Key Information:

Usable well dimensions (width):	340 mm
Usable well dimensions (height):	575 mm
Usable well dimensions (depth):	400 mm
Well capacity:	21 lt MIN; 23 lt MAX
Thermostat Range:	110 °C MIN; 190 °C MAX
Shipping weight:	108 kg
Shipping height:	1480 mm
Shipping width:	460 mm
Shipping depth:	1020 mm
Shipping volume:	0.69 m ³

If appliance is set up or next to or against temperature sensitive furniture or similar, a safety gap of approximately 150 mm should be maintained or some form of heat insulation fitted.



Modular Cooking Range Line
ECO 90 One Well Gas Fryer 23 liter with electronic control

The company reserves the right to make modifications to the products without prior notice. All information correct at time of printing.