

08/2018

Mod: TA-90/S

Production code: Boxer 42



Diamond
catering equipment



TA-90/S



FEATURES

- Standard with 1 seal bar (front): 420 mm
- Standard double seal (two wires). Optional without extra costs: Cut-off/Wide seal
- Seal bar easily removable for cleaning and maintenance purposes
- Pump capacity: 21 m³/h Busch vacuum pump
- Pump maintenance and cleaning program
- Machine cycle: 15-35 sec
- Standard Digital control with Time control and a 10 program memory
- Standard Soft Air to protect the product and vacuum bag
- Deep drawn stainless steel vacuum chamber
- Stainless steel exterior and transparent lid
- Comes with insert plate for a faster cycle and product adjustment

OPTIONS

- 2nd seal bar (front-back)
- 1-2 Cut-off seal
- Sensor control/Advanced Control System (see machine photo)
- Liquid control
- Gas flush

ACCESSORIES

- Zebra ZD410 thermal label printer (only in combination with Advanced Control System)
- Inclined insert plate (for packing liquids)
- Food container adaptor
- Service kit for standard maintenance
- Trolley with shelves

DESCRIPTION

The robust, stainless steel Boxer 42 vacuum packaging machine is standard equipped with a Busch vacuum pump and Digital control with a 10 program memory. This table-top model complies with CE standards.



Diamond Europe s.a./n.v.

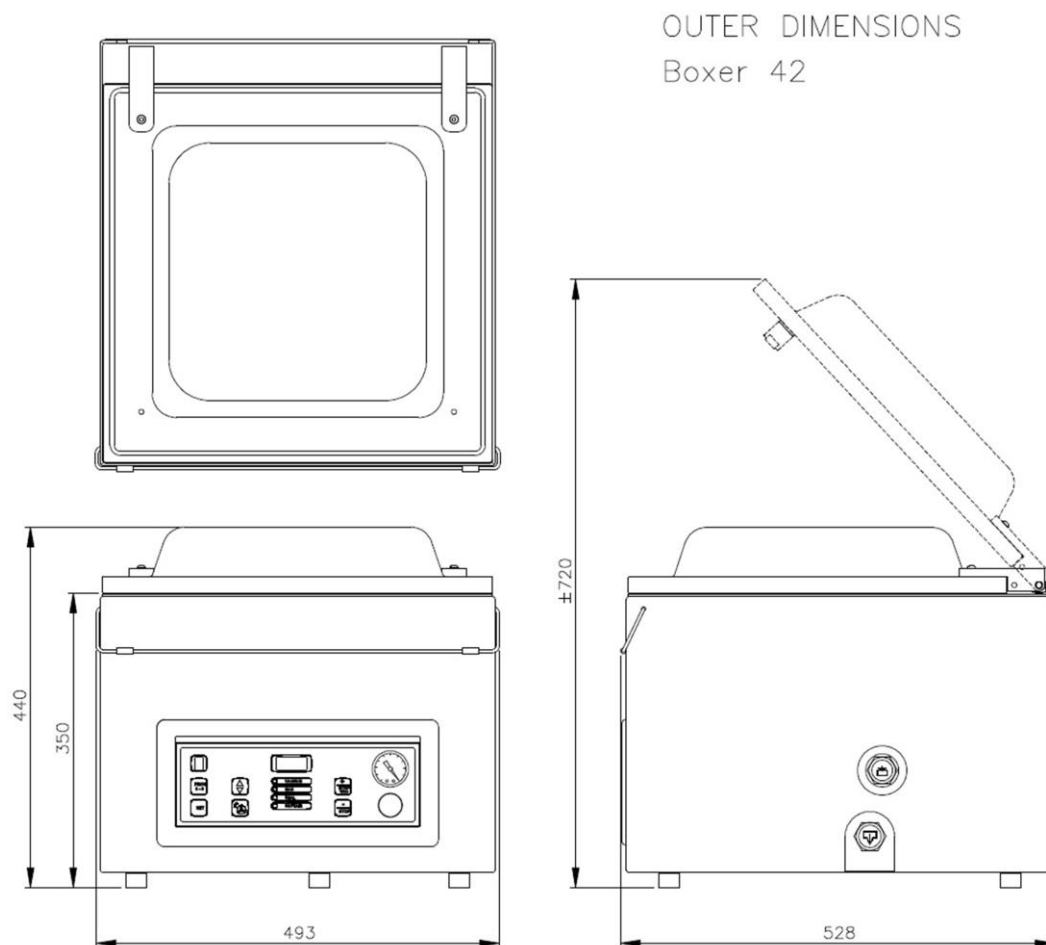
92 Chaussée de Vilvorde
92 Vilvoordsesteenweg
1120 Brussels
Belgium

info@diamond-eu.com
Phone: +32 2 420 26 26
Fax: +32 2 420 67 66
www.diamond-europe.com

TA-90/S – SPECS

DIMENSIONS

In mm



OUTER DIMENSIONS

Boxer 42

Model	Dimensions (mm)		Voltage* (Hz)	Pump capacity (m ³ /h)	Power (kW)	Weight (kg)
	Chamber (usable space) L x W x H	Machine L x W x H				
Boxer 42	370 x 420 x 180	528 x 493 x 440	230V-1-50	21	0,75 – 1,0	64
* Other voltages available						



Diamond Europe s.a./n.v.

92 Chaussée de Vilvorde
92 Vilvoordsesteenweg
1120 Brussels
Belgium

info@diamond-eu.com
Phone: +32 2 420 26 26
Fax: +32 2 420 67 66
www.diamond-europe.com