













10/2019

Mod: DCR49/6-AC

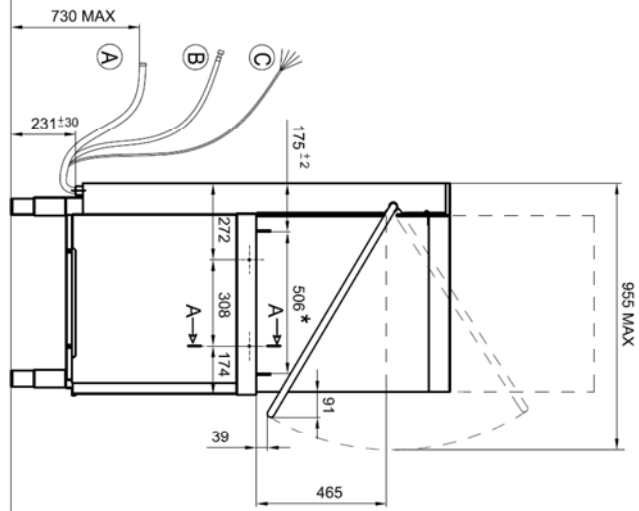
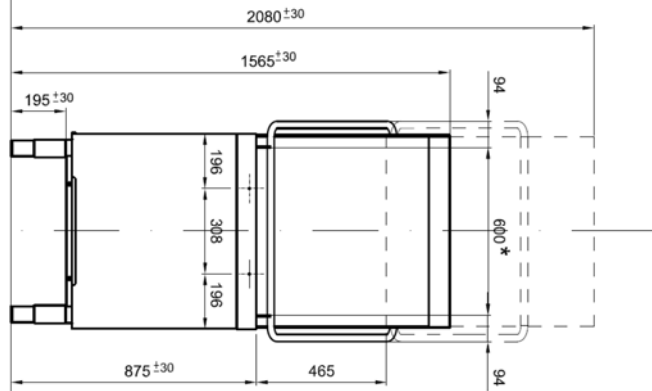
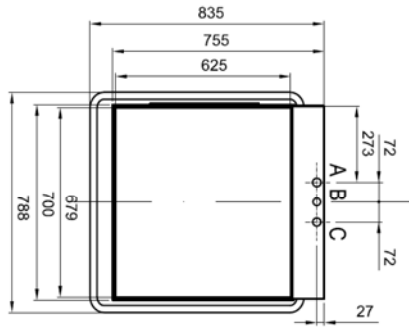
Production code: TT3923SBE

	Model	DCR49/6-AC
	Code Production	TT3923SBE
Interface :		
		

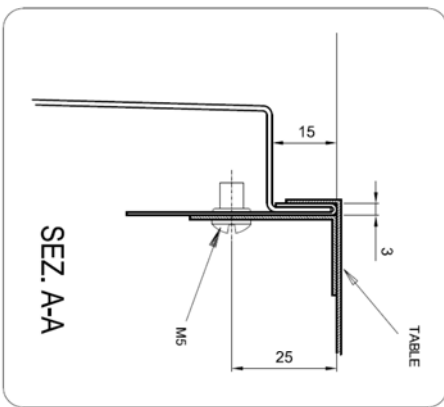


	Overall Dimension (Width-Depth-Height) *open	mm	788x835x1565(2080*)
	Packaging Dimension (WxDxH)	mm	870x830x1530
	Gross weight	Kg	135
	Net weight	Kg	125
	Volume	mc	1,1
	Rack size	mm	600x500
	Max door /hood opening	mm	465
	Max glasses/plate Height	mm	440
	General construction		double skin
	Door/hood Construction		double skin
	Tank construction		deep drawn
	Tank volume	liter	30
	Tank heating element	W	2.500
	Tank surface strainers		Inox
	Wash pump type		double flow
	Wash pump power	W	1500
	Wash temperature	°C	60
	Boiler type		Without pressure
	Boiler volume	liter	12
	Back-flow system		break tank
	Boiler heating element	W	8.000
	Rinse booster pump		yes
	Rinse booster pump power	W	200
	Rinse temperature	°C	80
	Rinse water consumption	Liter /rack	3,0
	Optimal external water pressure	bar	2
	Drain system		deep drain
	Drain pump		YES
	Rinse aid dispenser		YES
	Detergent dispenser		YES
	Water softner	Continuous type	YES
	Wash cycle	sec	60 - 110 - 150 - continuous
	Electric Power	W	9.500
	Electric Connection	V - ph - Hz	400V 3+N 50Hz
	Fuse	A	16
	Plates racks	Nr	YES
	Flat Rack	Nr	YES
	Cutterly Rack	Nr	YES
	Electric cable		YES
	Drain hose		YES
	Fill hose		YES

A		Ø 32 mm
B		G 3/4"
C		Power supply



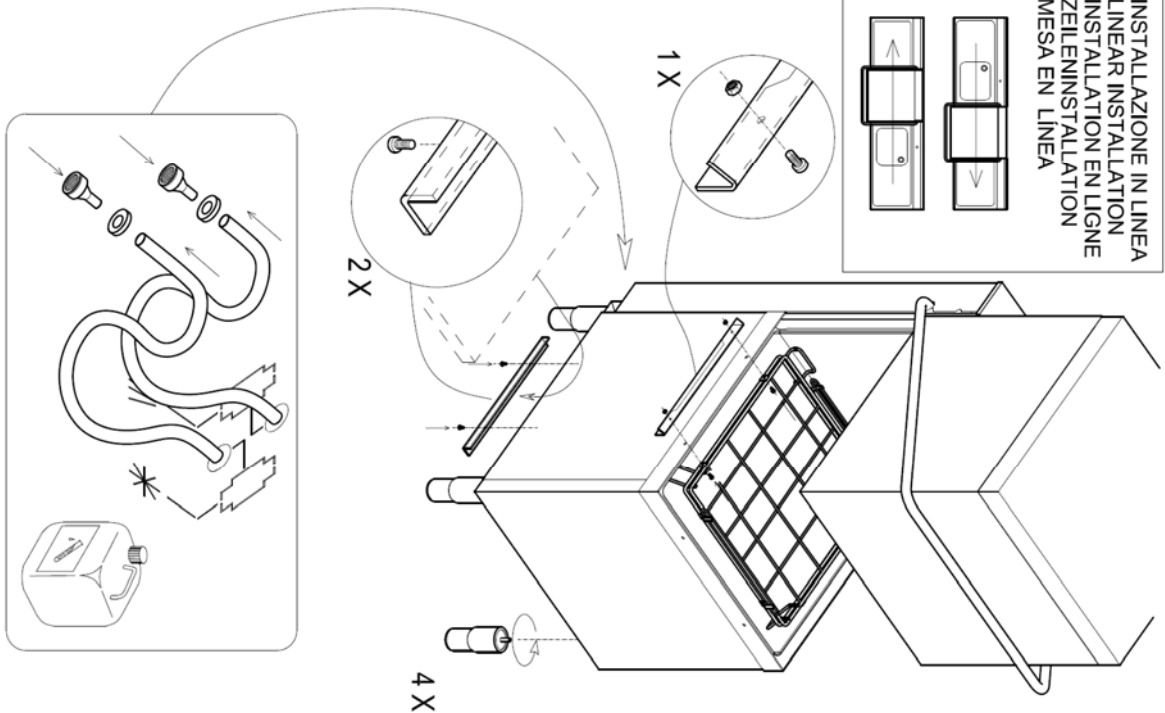
*
LUCE UTILE PER CESTELLO
USEFUL SPACE FOR BASKET
LUMIERE UTILE POUR PANIER
NUTZBARE OFFNUNG FÜR KORBE
ABERTURA UTIL PARA CESTO



Installation layout

Hood type with drain pump

70991 02



INSTALLAZIONE IN LINEA
LINEAR INSTALLATION
INSTALLATION EN LIGNE
ZEILENINSTALLATION
MESA EN LINEA