

02/2021

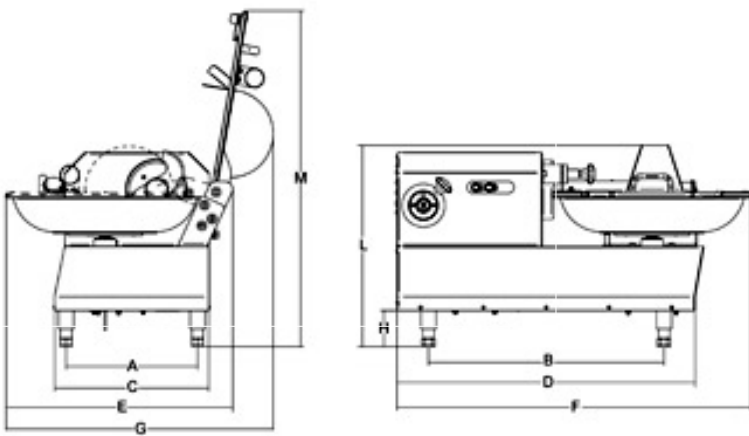
Mod: CUT-H12/NVV

Production code: 40794852HL



- Completely made in AISI 304 stainless steel
- Blade driven by powerful ventilated asynchronous motor
- Sturdy, removable AISI 304 stainless steel bowl
- Easily removable interlocking lid to facilitate cleaning and sanitising
- Controls with IP 67 stainless steel buttons
- Easily removable blade hub
- Hub with 3 blades is standard.
- Maximum protection against liquid infiltration on the shaft
- Perfect for meat and vegetables, but also suitable for many other types of processing.
- Katana 12 PTO:
also available with PTO for optional accessories like TC, TV.

Data sheet



Model	Katana12	Katana12 VV	Katana12 PTO
Power:	watt 750 - Hp 1	watt 750 - Hp 1	watt 750 - Hp 1
Power source:	230-400V/50Hz	230V/50Hz	230-400V/50Hz
Blades:	n.3	n.3	n.3
Tank capacity:	lt 12	lt 12	lt 12
Revolutions:	r.p.m. 1.440	r.p.m. 600/2.600	r.p.m. 1.440
A:	mm 335	mm 335	mm 335
B:	mm 600	mm 600	mm 600
C:	mm 393	mm 393	mm 393
D:	mm 758	mm 758	mm 758
E:	mm 587	mm 587	mm 587
F:	mm 902	mm 902	mm 902
G:	mm 680	mm 680	mm 680
H:	mm 92	mm 92	mm 92
L:	mm 508	mm 508	mm 508
M:	mm 850	mm 850	mm 850
Net weight:	kg 75	kg 75	kg 75
Shipping:	mm 1200x670x800	mm 1200x670x800	mm 1200x670x800
Gross weight:	kg 88	kg 88	kg 88
HS-CODE:	85098000		