

05/2022

# **Mod: E22/F23CFSA4-AC**

**Production code: 393345**

**Modular Cooking Range Line  
ECO 90 1 Well Program. Electric  
Fryer 23 liter with Electronic Control,  
Pump, Lifter and Auto Cooking**

ITEM # \_\_\_\_\_

MODEL # \_\_\_\_\_

NAME # \_\_\_\_\_

SIS # \_\_\_\_\_

AIA # \_\_\_\_\_



393345 (N9KKLDBAMCG)

23-lt electric fryer with 1 "V" shaped well (external heating elements), electronic control, programmable, oil recirculation pump, 2 half size baskets, automatic lifting system for baskets, automatic cooking mode, predisposed for advanced filtering system

**Short Form Specification**

Item No. \_\_\_\_\_

High efficiency external infrared heating elements (18kW) with innovative deflectors attached to the outside of the well. Deep drawn V-Shaped well. The unit is equipped with a programmable electronic control panel. Automatic basket lifting system with automatic cooking mode. Unit predisposed for advanced filtering system. Melting function. Oil drains through a tap into a container positioned under the well; stainless steel filter included.

Height adjustable feet in stainless steel. Exterior panels in stainless steel. Worktop in 20/10, stainless steel. Right-angled side edges eliminate gaps and possible dirt traps between units.

**Main Features**

- Deep drawn V-Shaped well.
- External infrared heating elements with innovative deflectors applied to the well for ease of cleaning of the internal well and safe operations.
- Built-in smart electronic control system to monitor the temperature during frying to guarantee the safety of the process.
- Overheat protection thermostat as standard on all units.
- Integrated oil filtering system with a pump for oil circulation.
- The unit is predisposed for ADVANCED FILTERING SYSTEM with paper filters to remove the smallest food residuals and extend the oil life.
- Unit to feature automatic basket lifting system and AUTOMATIC COOKING mode.
- Unit able to memorize 5 programs (temperature and time) and 5 extra programs can be customized using the automatic cooking mode allowing to adjust the cooking time automatically according to the load.
- All major compartments located in front of unit for ease of maintenance.
- Unit to be equipped with electronic control panel.
- IPX5 water resistance certification.
- Supplied as standard with 2 half size baskets and 1 right side door for cupboard.
- The special design of the control panel offers a better guarantee against oil infiltration.
- Thermostatic regulation of oil temperature up to a maximum of 190 °C.
- Optional portable oil quality monitoring tool (code 9B8081) for efficient oil management.

**Construction**

- All exterior panels in Stainless Steel with Scotch Brite finishing.
- Model has right-angled side edges to allow flush fitting joints between units, eliminating gaps and possible dirt traps.
- Interior of well with rounded corners for ease of cleaning.
- Unit is 900mm deep to give a larger working surface area.
- Unit delivered with four 50 mm legs in stainless steel as standard.

**Included Accessories**

- 1 of OIL FILTER S/S FOR 23 LT FRYERS PNC 200086
- 1 of Door for open base cupboard PNC 206350
- 1 of 2 half size baskets for 18/23 lt fryers PNC 927223

**Optional Accessories**

- KIT FOR ADVANCED FILTRATION SYSTEM FOR 23LT FRYER PNC 200084
- PACK OF 100 PAPER FILTER FOR ADVANCED FILTRATION SYSTEM FOR 23LT FRYER PNC 200085
- OIL FILTER S/S FOR 23 LT FRYERS PNC 200086
- KIT23L FRYER OIL PUMP DRAIN EXTENSION PNC 200087

APPROVAL: \_\_\_\_\_

**Modular Cooking Range Line  
ECO 90 1 Well Program. Electric Fryer 23 liter with Electronic  
Control,Pump, Lifter and Auto Cooking**

**Modular Cooking Range Line  
ECO 90 1 Well Program. Electric Fryer 23  
liter with Electronic Control, Pump, Lifter  
and Auto Cooking**

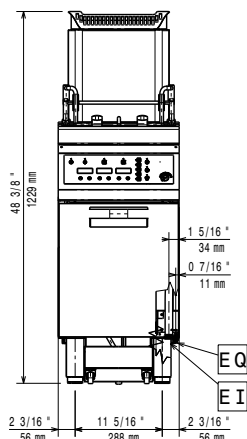
- Junction sealing kit PNC 206086
- Kit 4 wheels - 2 swivelling with brake - it is mandatory to install base support and wheels PNC 206135
- Flanged feet kit PNC 206136
- Pair of side kicking strips (not for refrigerator base) PNC 206180
- Hygienic lid for 23lt fryers PNC 206201
- Frontal kicking strip for 23lt fryers in two parts PNC 206203
- Extension pipe for oil drainage for fryers PNC 206209
- Chimney upstand, 400mm PNC 206303
- Base support for feet or wheels (lateral) for 23lt fryers, pastacookers and refrigerated bases PNC 206372
- SEDIMENT TRAY FOR 23LT FRYER PNC 921023
- 2 half baskets for 18/23lt fryers with front hook PNC 927200
- 1 full basket for 18/23lt fryers with front hook PNC 927201
- 2 half size baskets for 18/23 lt fryers PNC 927223
- 1 full size basket for 18/23 lt fryers PNC 927226
- Unclogging rod for 23lt fryers drainage pipe PNC 927227
- Deflector for floured products for 23lt fryers PNC 960645



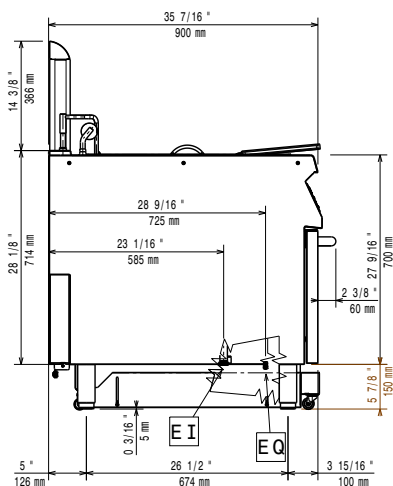
**Modular Cooking Range Line  
ECO 90 1 Well Program. Electric Fryer 23 liter with Electronic Control,  
Pump, Lifter and Auto Cooking**  
The company reserves the right to make modifications to the products  
without prior notice. All information correct at time of printing.

**Modular Cooking Range Line  
ECO 90 1 Well Program. Electric Fryer 23  
liter with Electronic Control, Pump, Lifter  
and Auto Cooking**

**Front**

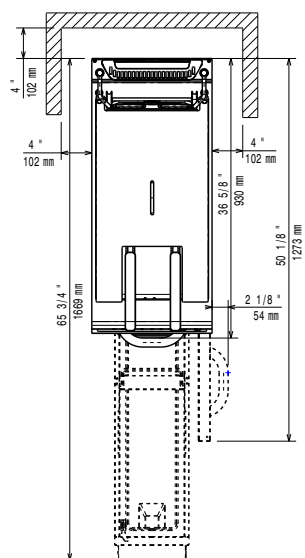


**Side**



EI = Electrical inlet (power)  
EQ = Equipotential screw

**Top**



**Electric**

Supply voltage:

393345 (N9KKLDBAMCG) 380-400 V/3N ph/50/60 Hz

Total Watts:

18 kW

**Key Information:**

Usable well dimensions (width):	340 mm
Usable well dimensions (height):	575 mm
Usable well dimensions (depth):	400 mm
Well capacity:	21 lt MIN; 23 lt MAX
Thermostat Range:	110 °C MIN; 190 °C MAX
Net weight:	96 kg
Shipping weight:	100 kg
Shipping height:	1360 mm
Shipping width:	460 mm
Shipping depth:	1020 mm
Shipping volume:	0.64 m <sup>3</sup>
Certification group:	EFE91L23

If appliance is set up or next to or against temperature sensitive furniture or similar, a safety gap of approximately 150 mm should be maintained or some form of heat insulation fitted.



**Modular Cooking Range Line  
ECO 90 1 Well Program. Electric Fryer 23 liter with Electronic Control,  
Pump, Lifter and Auto Cooking**  
The company reserves the right to make modifications to the products  
without prior notice. All information correct at time of printing.