

Mod: ATLANTA LINE

Code Fabricant

D27061263
D27061282
D27061296
D27061302
D27061732
D27061367
D27061734
D27061735
D27061408
D27061736
D27061409
D27061737
D27061262
D27061722
D27061723
D27061393
D27061724
D27061725
D27061067
D27061068
D27061069
D27061070
D27061071
D27061072
D27061164
D27061166
D27061312
D27061313
D27061733
D27061459

Ref. Diamond

ATL/10-BV-B5
ATL/13-BV-B5
ATL/15-BV-B5
ATL/20-BV-B5
ATL/25-BV-B5
ATL/30-BV-B5
ATL/10-BV-B5/SG
ATL/13-BV-B5/SG
ATL/15-BV-B5/SG
ATL/20-BV-B5/SG
ATL/25-BV-B5/SG
ATL/30-BV-B5/SG
ATL/10-BN-B5
ATL/13-BN-B5
ATL/15-BN-B5
ATL/20-BN-B5
ATL/25-BN-B5
ATL/30-BN-B5
ATL/10-AV-B5
ATL/13-AV-B5
ATL/15-AV-B5
ATL/20-AV-B5
ATL/25-AV-B5
ATL/30-AV-B5
ATL/10-AV-B5/SG
ATL/13-AV-B5/SG
ATL/15-AV-B5/SG
ATL/20-AV-B5/SG
ATL/25-AV-B5/SG
ATL/30-AV-B5/SG

■ ANEXO NORMATIVA / ANNEX NORMATIVE / ANNEXE RÈGLEMENT

- ATLANTA LINE

DATA	ATL-10	ATL-13	ATL-15	ATL-20	ATL-25	ATL-30
Product temperature	M1	M1	M1	M1	M1	M1
Overall external dimensions at installation(LxHxD)(mm)	1055x1231x960	1305x1231x960	1525x1231x960	2025x1231x960	2525x1231x960	2995x1231x960
Refrigerated shelf area(m ²)	0,60	0,75	0,89	1,19	1,50	1,79
TDA(m ²) ATLANTA	0,75	0,94	1,12	1,50	1,89	2,24
Visibility of products by arc method(m ²)	0,48	0,6	0,71	0,95	1,19	1,42
Net volume (l)	366	459	542	730	917	1093
Health screen (mm)	1719	1719	1719	1719	1719	1719
Maximum load in shelf (kg)	30	30	30	30	30	30
Location of the temperature sensor	Fig. 1	Fig. 1	Fig. 1	Fig. 1	Fig. 1	Fig. 1
Maximum values displayed by the instrument or measured at the sensor location in stable operating conditions (°C)	8	8	8	8	8	8
Conditions where the display or temperature may be interrupted	Defrosting	Defrosting	Defrosting	Defrosting	Defrosting	Defrosting

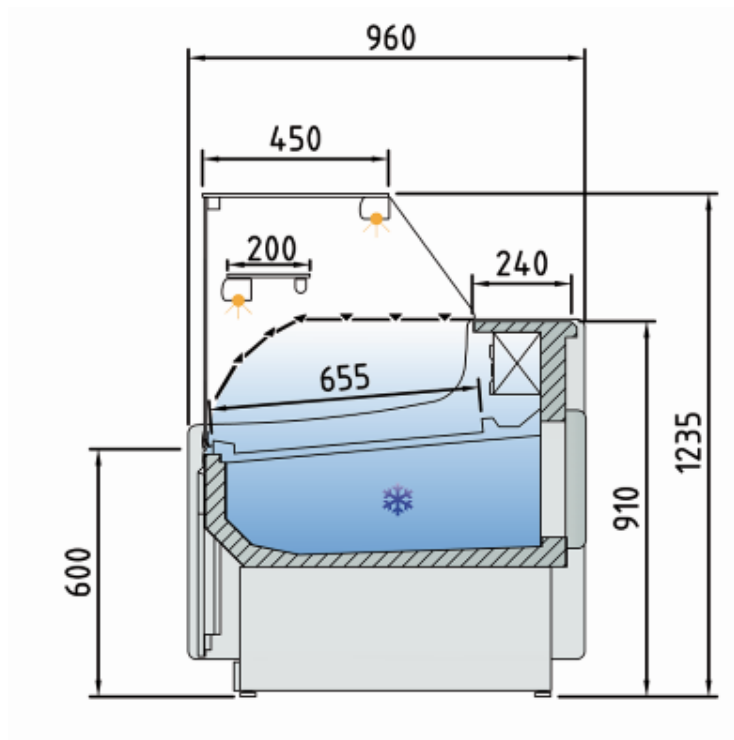


Fig. 1

- ATLANTA PV LINE

DATA	ATL 10-PV	ATL- 13-PV	ATL- 15-PV	ATL- 20-PV	ATL- 25-PV	ATL- 30-PV
Product temperature	M1	M1	M1	M1	M1	M1
Overall external dimensions at installation(LxHxD)(mm)	1055x1300x960	1305x1300x960	1525x1300x960	2025x1300x960	2525x1300x960	2995x1300x960
Refrigerated shelf area(m ²)	0,60	0,75	0,89	1,19	1,50	1,79
TDA(m ²) ATLANTA PV	0,75	0,94	1,12	1,50	1,89	2,24
Visibility of products by arc method(m ²)	0,48	0,6	0,71	0,95	1,19	1,42
Net volume (l)	366	459	542	730	917	1093
Health screen (mm)	1751	1751	1751	1751	1751	1751
Maximum load in shelf (kg)	30	30	30	30	30	30
Location of the temperature sensor	Fig. 2	Fig. 2	Fig. 2	Fig. 2	Fig. 2	Fig. 2
Maximum values displayed by the instrument or measured at the sensor location in stable operating conditions (°C)	8	8	8	8	8	8
Conditions where the display or temperature may be interrupted	Defrosting	Defrosting	Defrosting	Defrosting	Defrosting	Defrosting

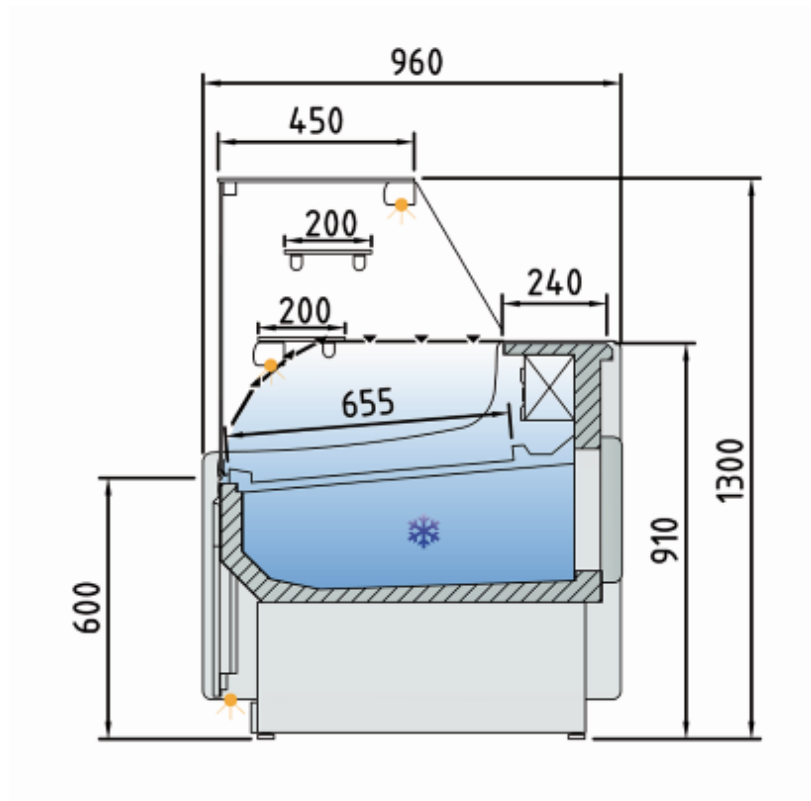


Fig. 2