

11/2020

Mod: DXE8/6-AC

Production code: IT3813SBEDD

UK

INSTRUCTION MANUAL FOR DISHWASHERS

DE

BEDIENUNGSANLEITUNG FÜR GESCHIRRSPÜLMASCHINE

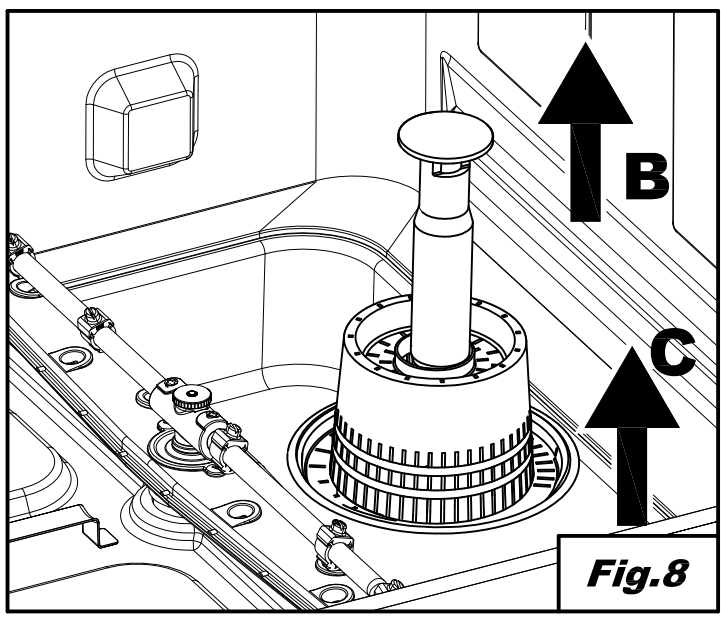
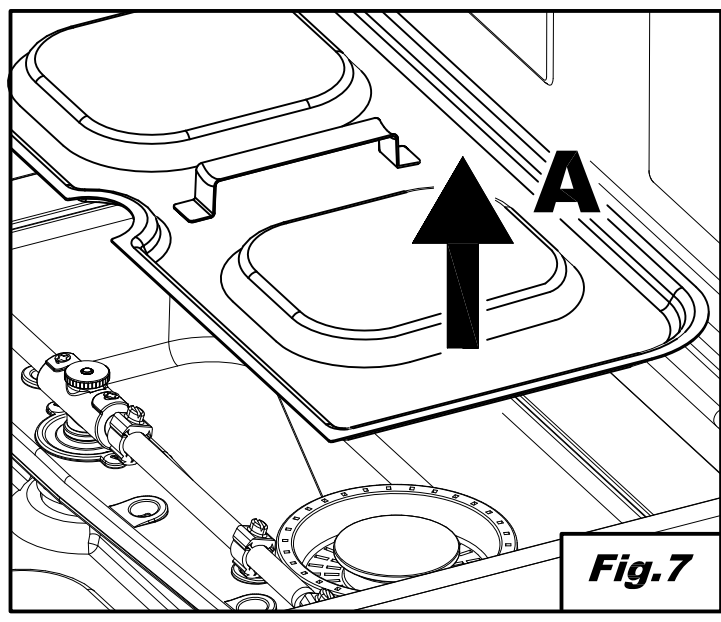
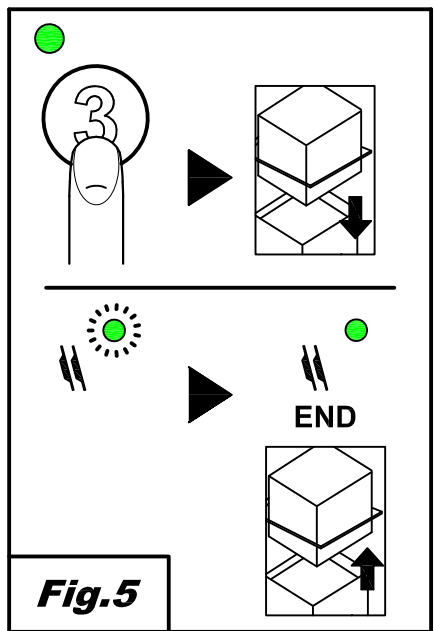
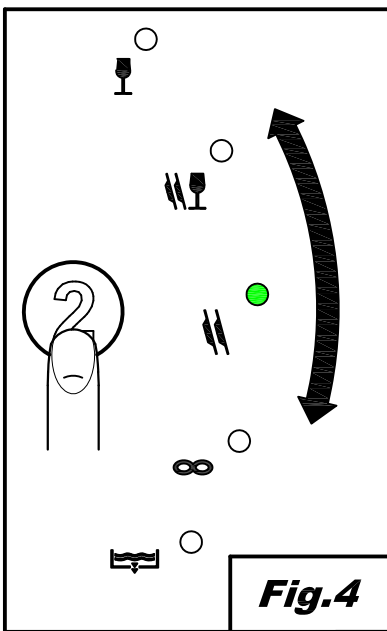
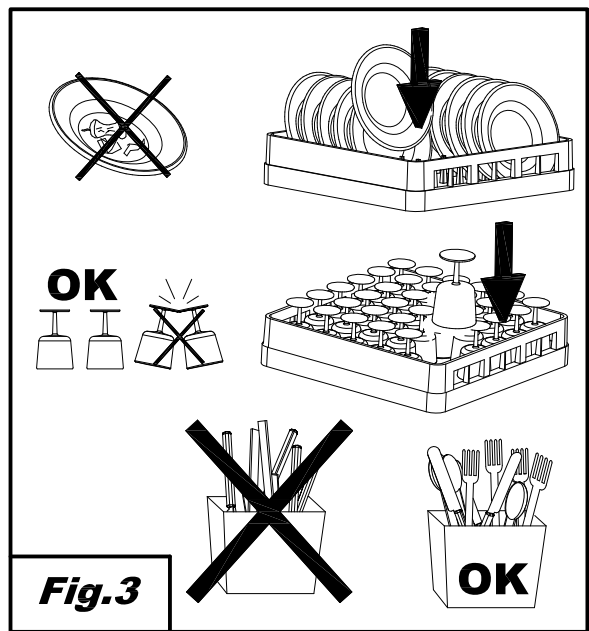
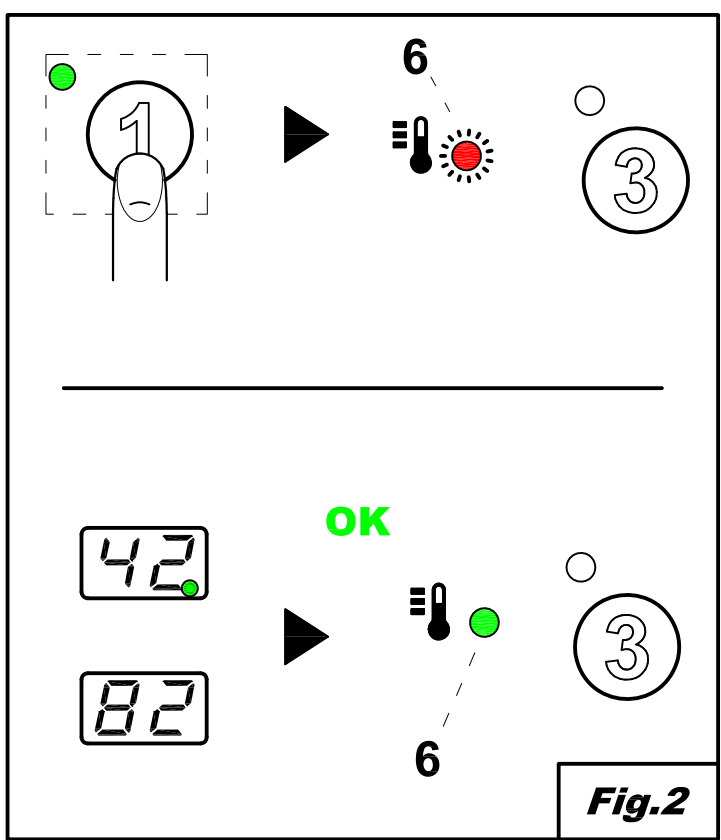
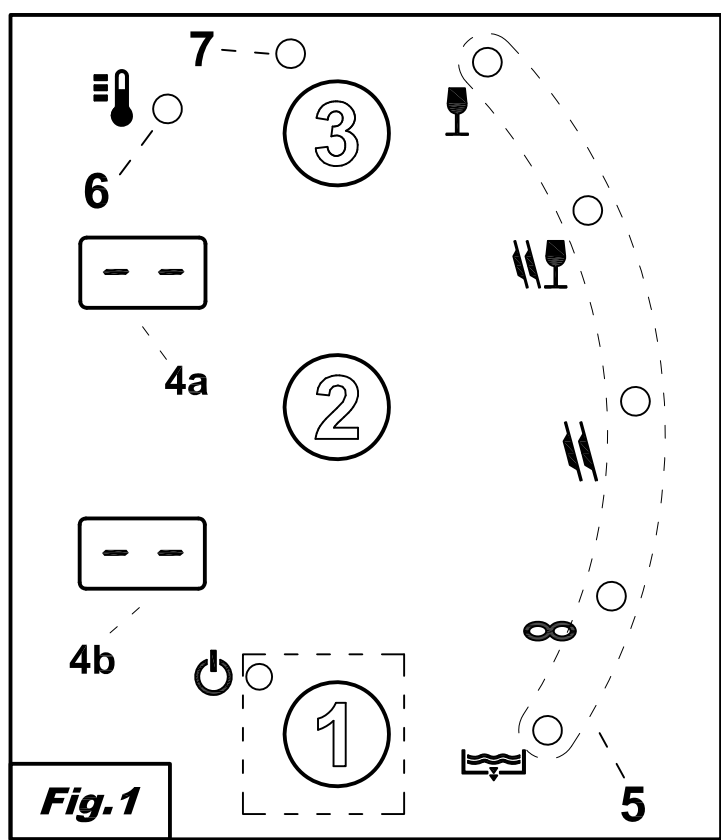
FR

MANUEL D'INSTRUCTIONS POUR LAVE-VAISSELLE

IT

MANUALE DI ISTRUZIONE PER LAVASTOVIGLIE

4424+* 7-1 (r.\$%)



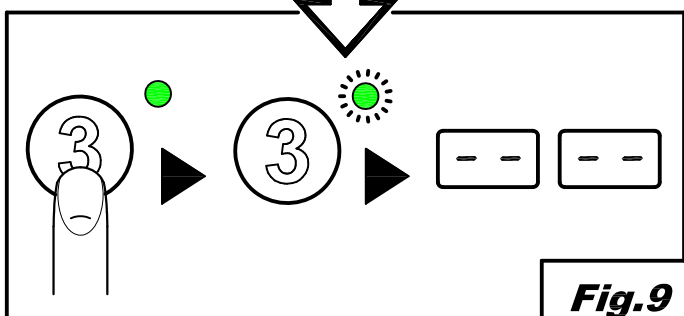
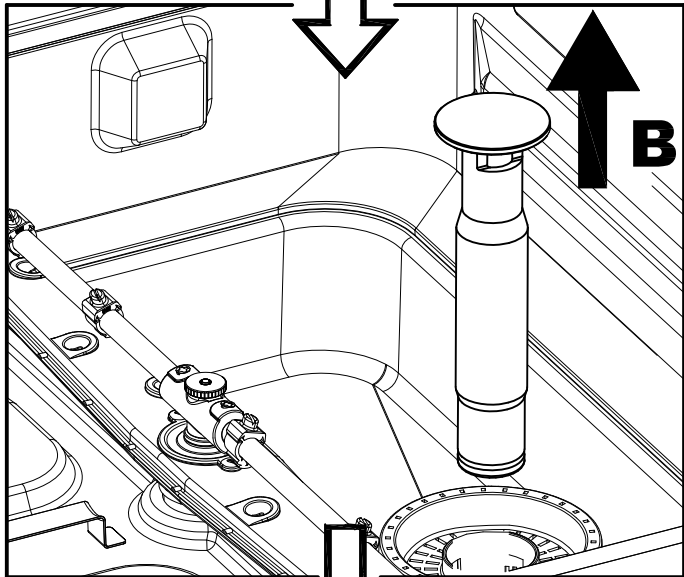
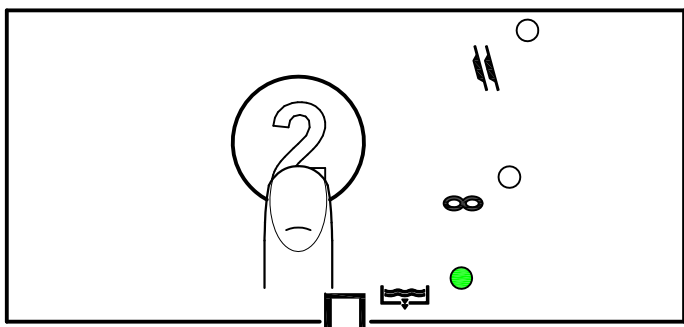


Fig.9

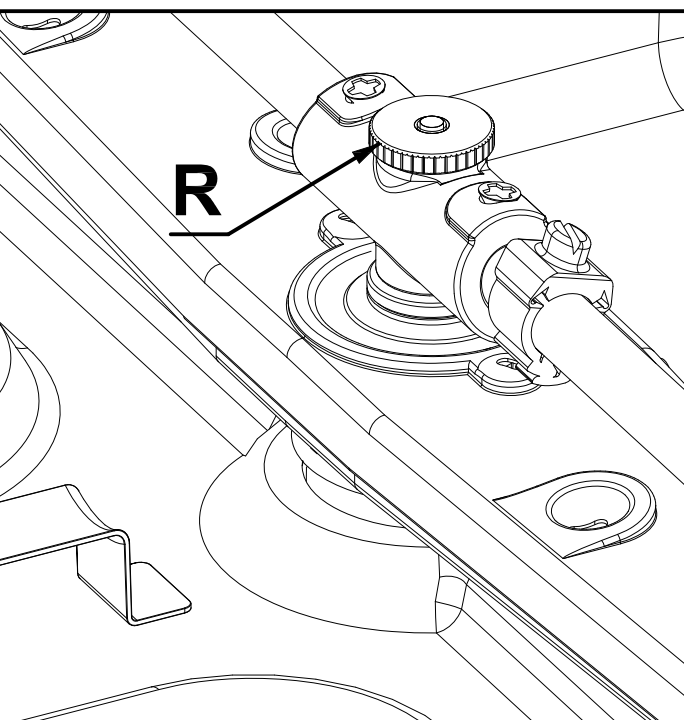
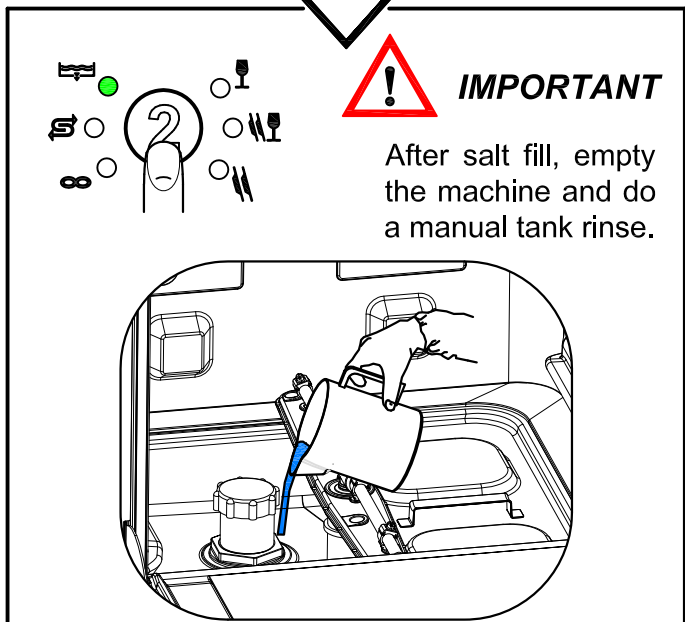
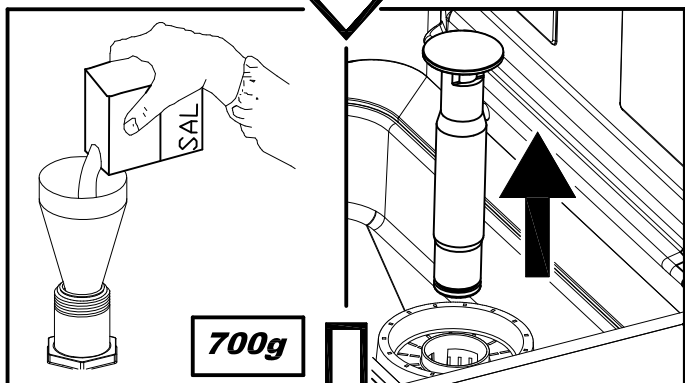
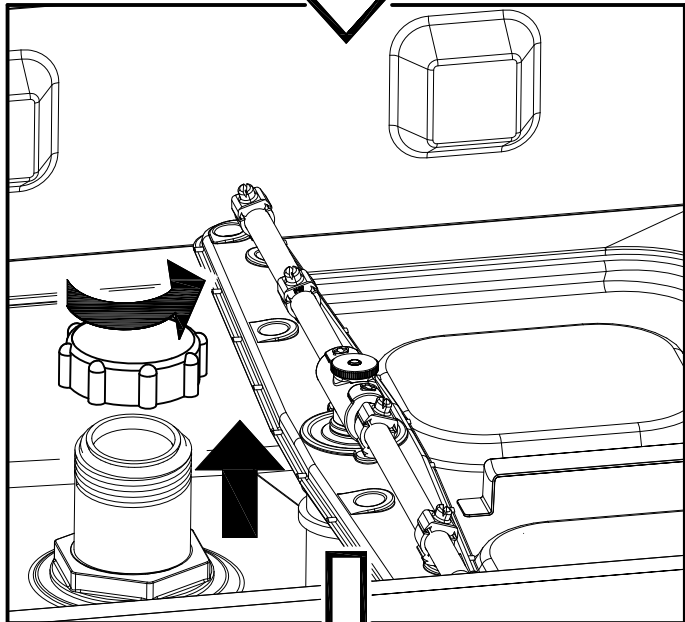
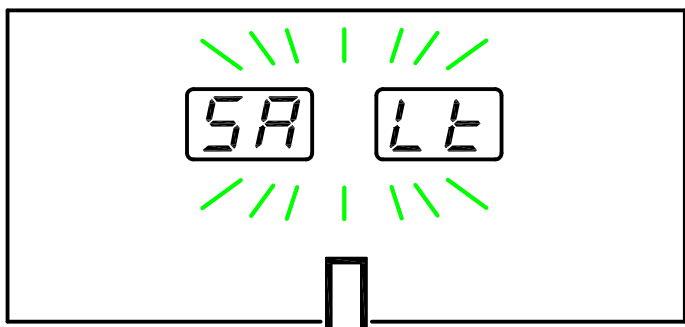
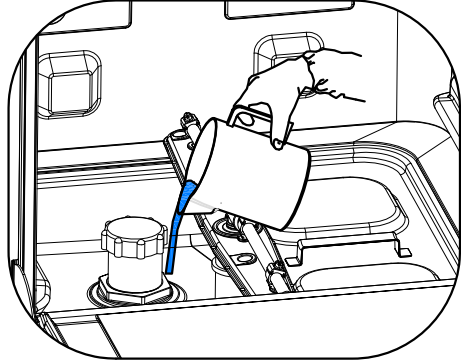


Fig.10



IMPORTANT
After salt fill, empty the machine and do a manual tank rinse.



Manual tank rinse

Fig.11

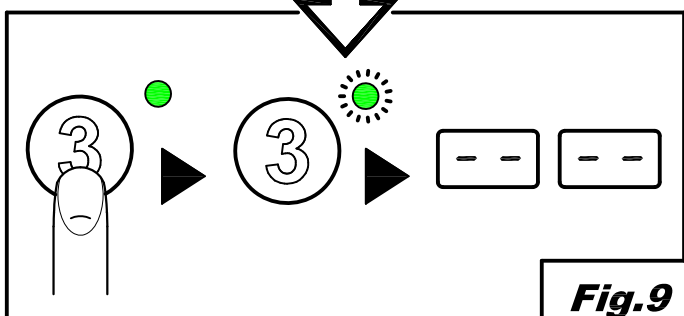
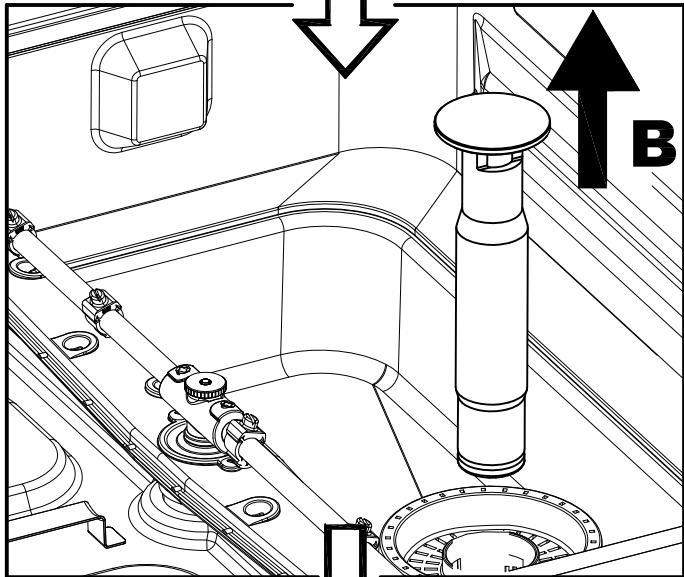
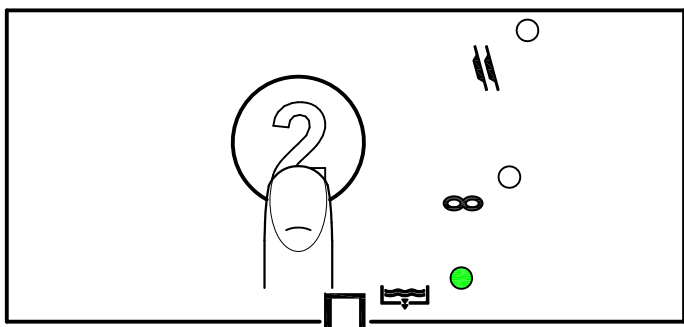


Fig.9

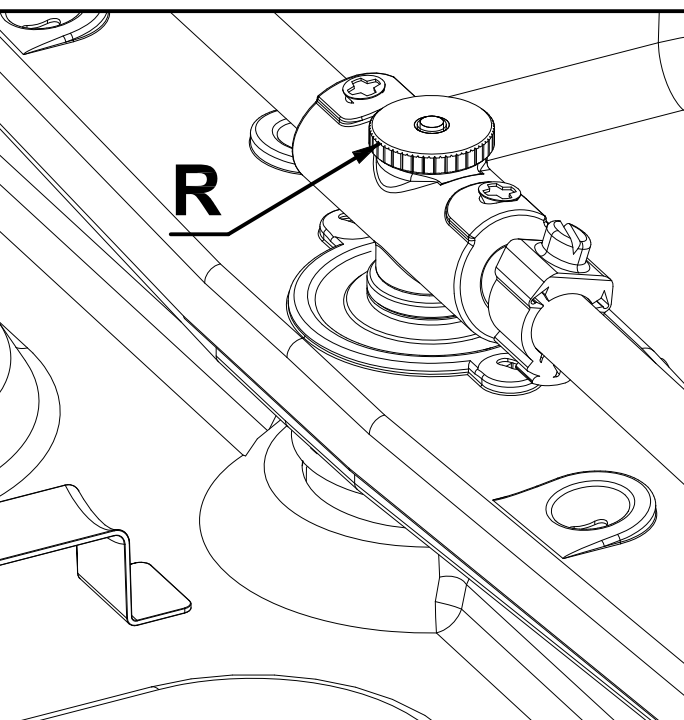


Fig.10

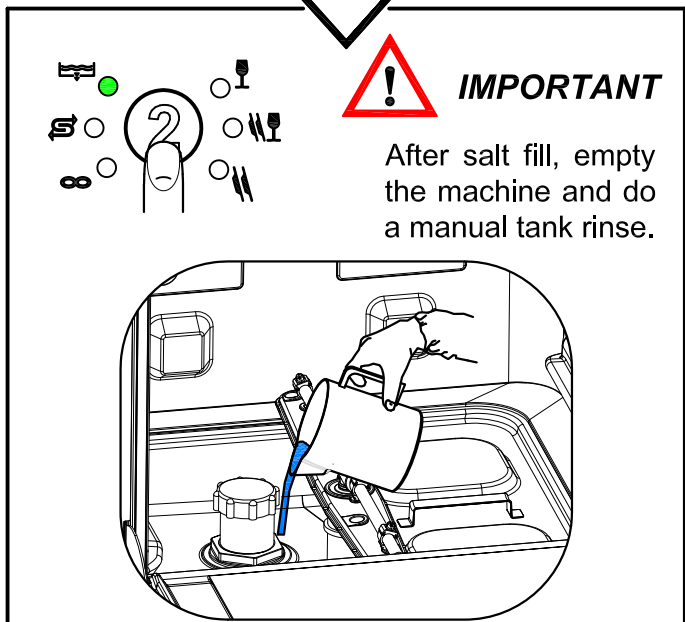
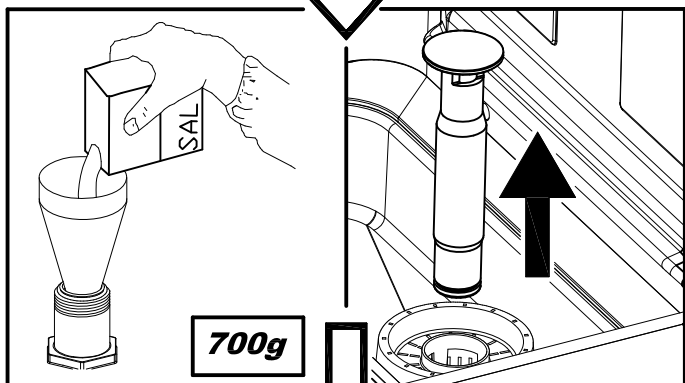
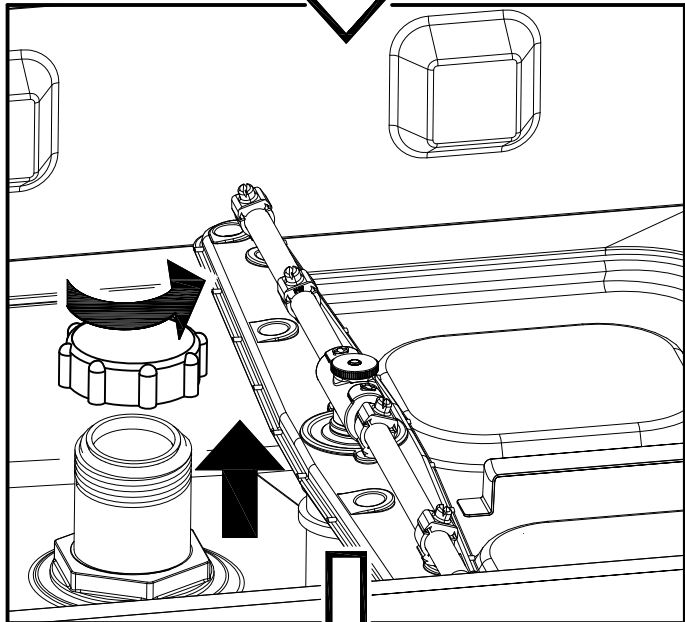
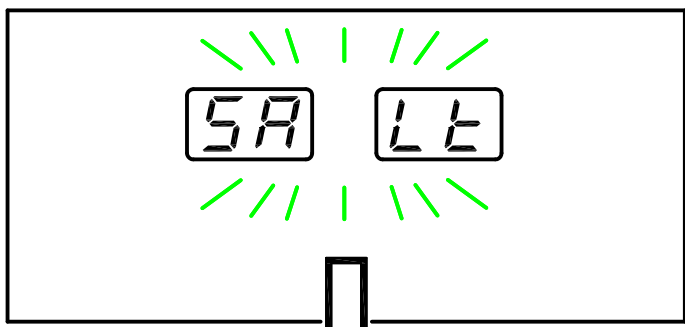
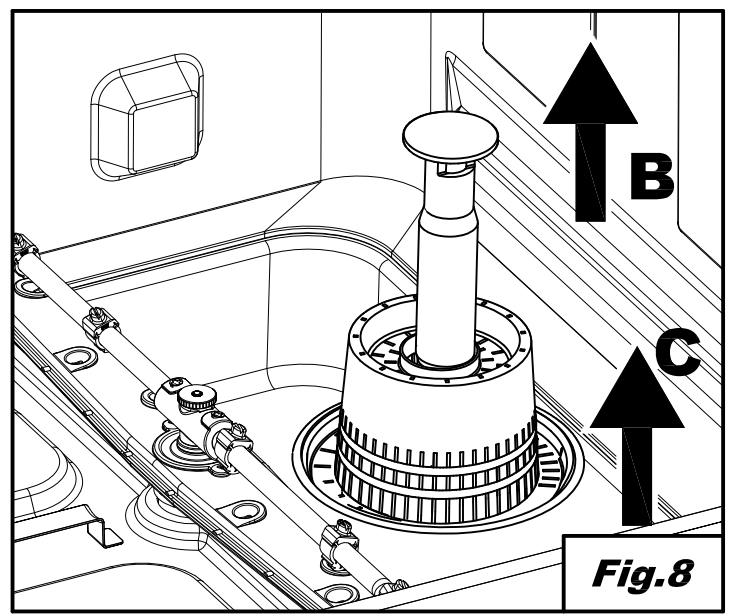
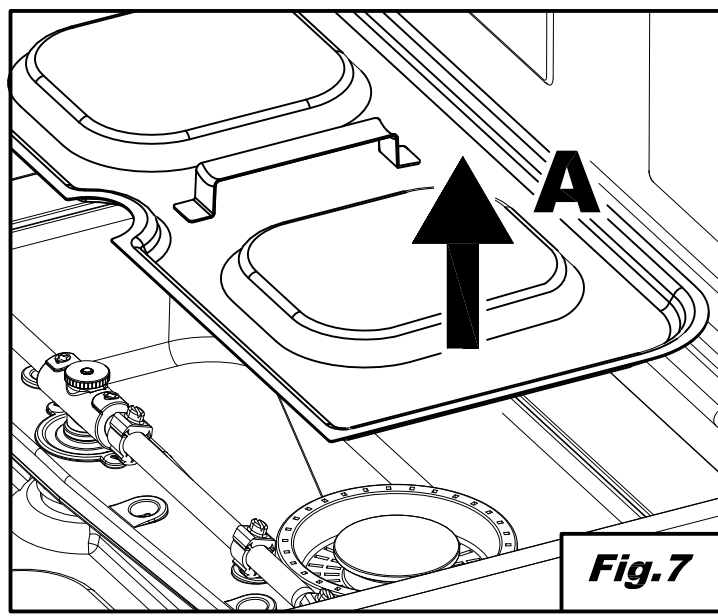
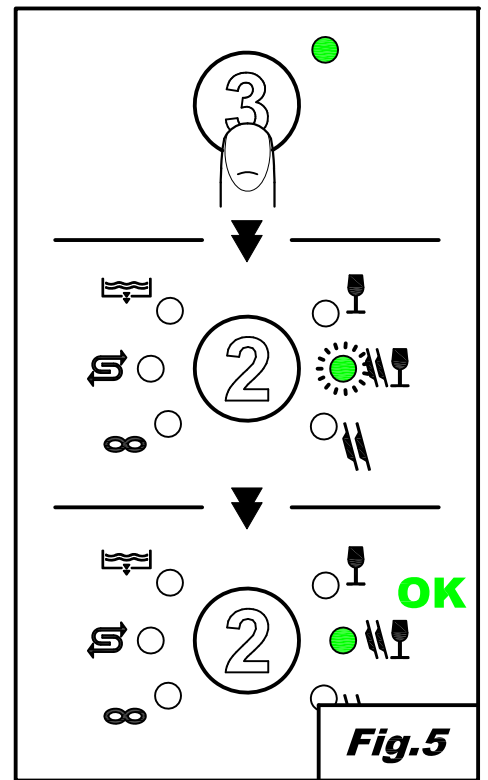
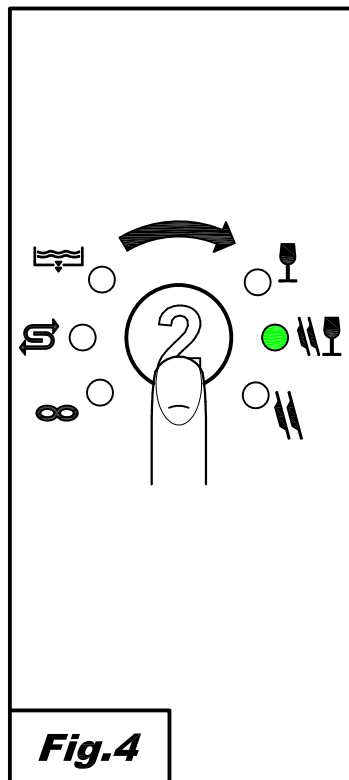
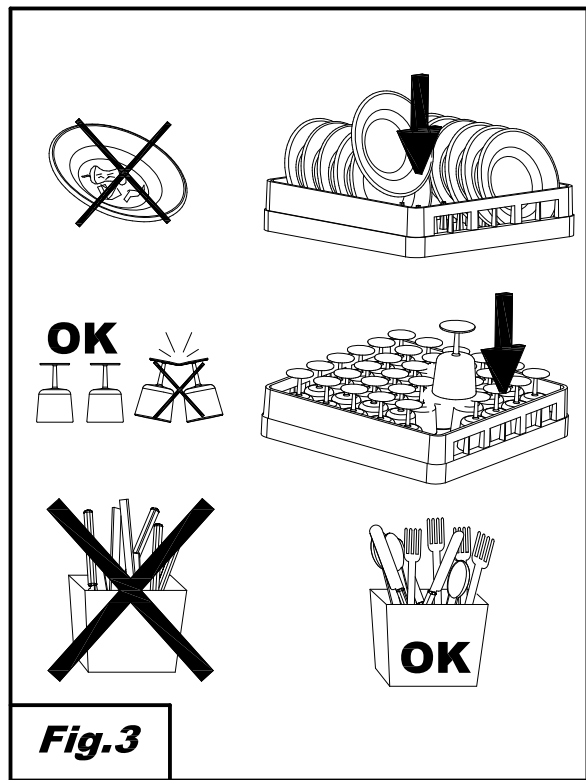
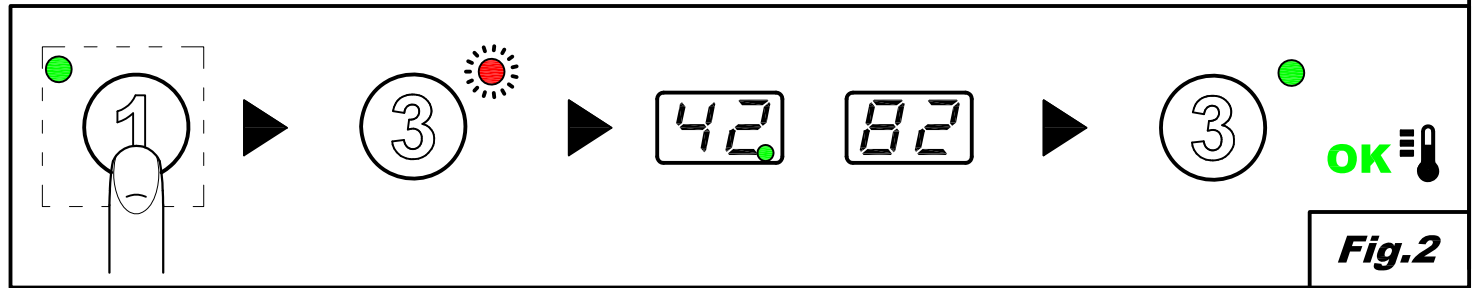
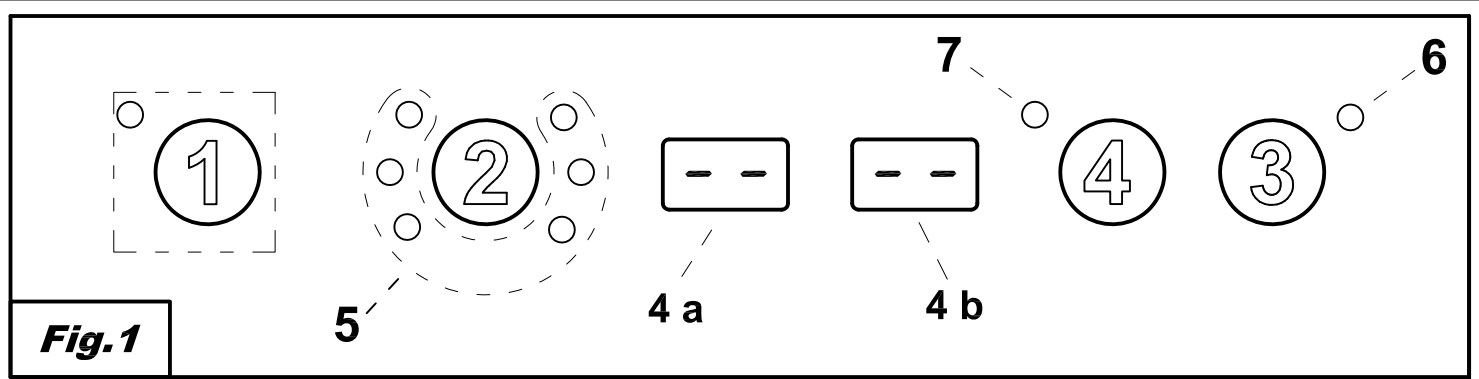


Fig.11

! IMPORTANT
After salt fill, empty the machine and do a manual tank rinse.



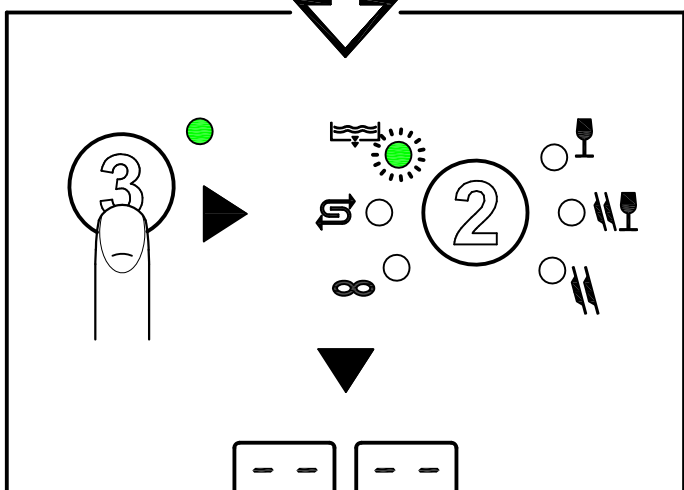
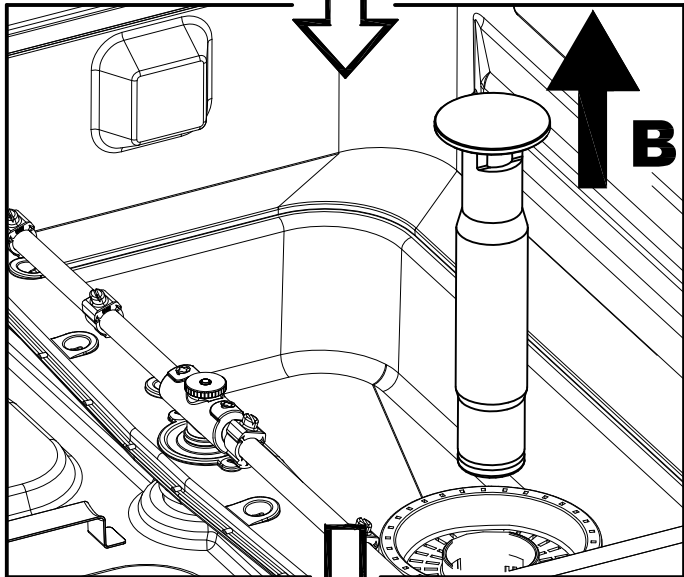
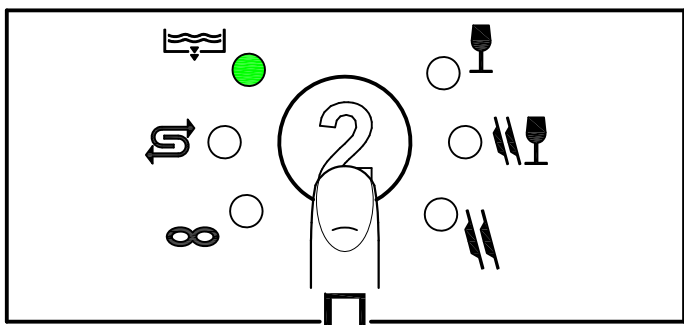


Fig.9

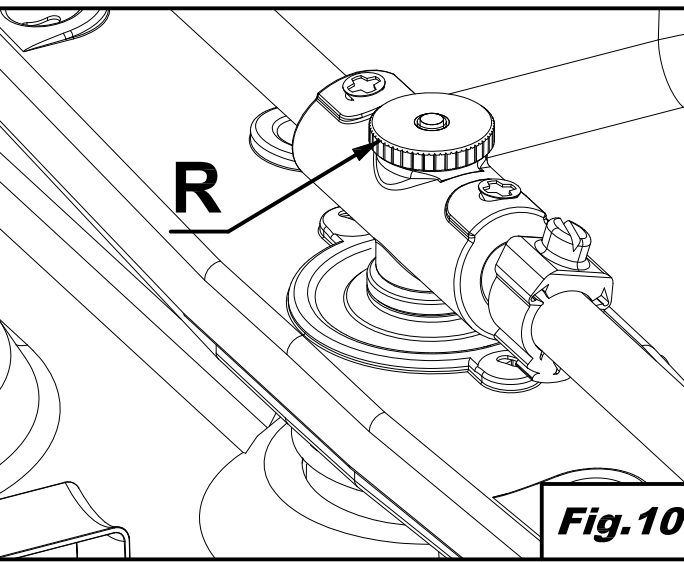
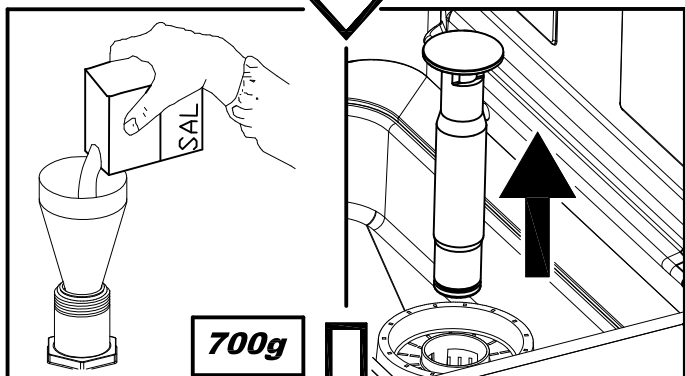
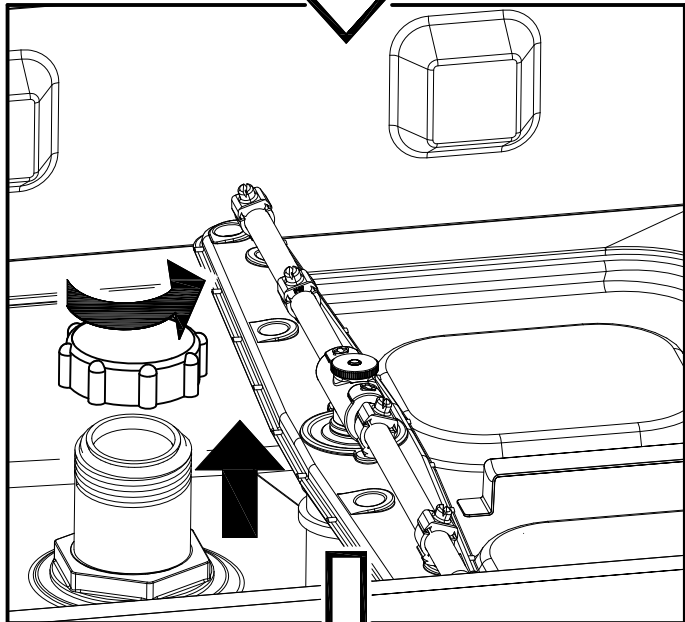
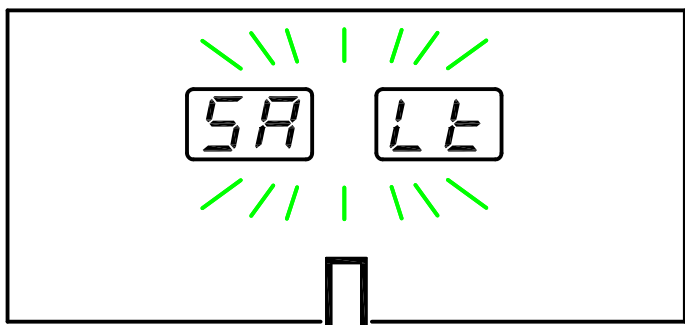
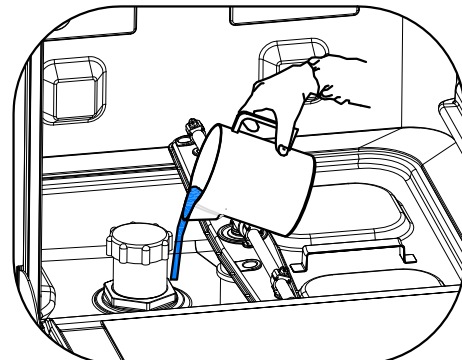


Fig.10



! IMPORTANT

After salt fill, empty the machine and do a manual tank rinse.



Manual tank rinse

Fig.11

CONTENTS

CHAP 1	PREFACE	2
CHAP 2	INSTALLATION	2
2.1	UNPACKING	2
2.2	POSITIONING.....	3
2.3	ELECTRICAL CONNECTION	3
2.4	WATER CIRCUIT HOOKUP.....	4
2.5	CONNECTION TO THE DRAIN LINE	4
2.6	RINSE AID AND DETERGENT	4
CHAP 3	RISKS AND IMPORTANT WARNINGS	5
3.1	NORMAL OPERATING CONDITIONS.....	5
CHAP 4	USING THE MACHINE	6
4.1	KEY AND SYMBOLS	6
4.2	SWITCHING THE DISHWASHER ON	6
4.3	FILLING THE RACK	6
4.4	CYCLE SELECTION AND START-UP.....	7
	4.4.1 <i>Under-counter dishwashers</i>	7
	4.4.2 <i>Hood dishwashers</i>	7
4.5	CONTINUOUS WASHING (*OPTIONAL).....	7
4.6	REMOVING THE INTEGRAL FILTER.....	7
4.7	EMPTYING THE DISHWASHER	7
	4.7.1 <i>Appliances with no drain pump</i>	7
	4.7.2 <i>Appliances with drain cycle (*optional)</i>	7
4.8	TURNING THE DISHWASHER OFF	8
4.9	RESIN REGENERATION (*OPTIONAL).....	8
4.10	DISPLAYING INFORMATION.....	8
4.11	LIST OF VIEWABLE MESSAGES.....	8
4.12	END OF SHIFT	8
CHAP 5	MAINTENANCE	9
5.1	GENERAL RULES	9
5.2	CLEANING	9
5.3	CLEANING THE FILTER UNIT	9
5.4	CLEANING THE ARMS	9
CHAP 6	SELF DIAGNOSTICS	10
CHAP 7	SETTINGS	11
7.1	HARDNESS SETTINGS FOR THE INCORPORATED WATER SOFTENER	12
CHAP 8	SCRAPPING	12
CHAP 9	ENVIRONMENT	12

In legal terms, the manufacturer reserves the property of this document. It is forbidden to reproduce it or divulge it with any means without prior written authorisation.

The manufacturer reserves the right to introduce changes in order to achieve the improvements it deems necessary without prior notice.



This manual contains important safety warnings relating to installation, use and maintenance.

Failure to observe the instructions in the enclosed documentation may compromise the safety of the appliance and immediately voids the warranty.

Warnings:

Keep all documentation in the vicinity of the appliance; make it available to the technicians and operators charged with operating it and keep it in good condition in a safe place, along with extra copies for frequent reference

The operator must read, understand and familiarise himself with the contents of this manual before working on or with the appliance.

The appliance is intended solely for professional heavy duty dishwashing applications and must be installed, operated and serviced only by qualified persons according to the manufacturer's instructions.

Warranty:

The manufacturer is not liable for any damage or injury resulting from failure to observe the instructions or improper use of the machine

Failure to observe the instructions in the enclosed documentation may compromise the safety of the appliance and immediately voids the warranty

Installation and repair by unauthorised technicians and the use non-original spare parts immediately void the warranty.

Storage:

Transport and storage: -10°C to 55°C with peaks up to 70°C (for no longer than 24 hours)

Chap 2 INSTALLATION

Proper installation is essential to the good operation of the appliance. Some of the data required for installation of the appliance are given on the nameplate on its RH body panel, and a copy is included on the cover page of this manual.



The appliance may only be installed by qualified persons authorised to do so.

For Australia and New Zealand this machine must be installed in accordance with AS/NZS3500.1

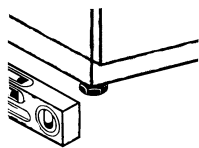
2.1 Unpacking

Check the condition of the packaging, and note any evident damage on the shipping bill. Remove the packaging and check that the appliance is in good condition; immediately report any damage to the reseller and the shipping agent by fax or registered letter with return receipt. If the damage is such as to compromise the safety of the appliance, do not install or operate it until it has been inspected by a qualified technician.



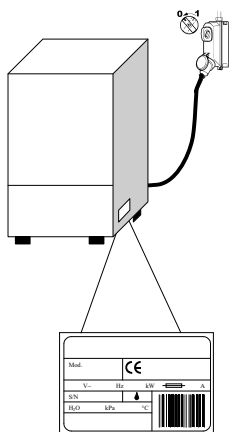
The packaging (plastic bags, expanded polystyrene, nails, etc.) are hazardous and must not be left within the reach of children or pets.

2.2 Positioning




- Check that there are no objects or materials in the installation area which may be damaged by the steam emitted by the appliance during operation, or if there are, make sure they are properly protected.
- Before positioning the appliance, set up the electrical power supply, water supply and drain connections
- The floor or build-in unit must be rated to support the weight of the appliance
- To ensure that it is stable, level the appliance with its four feet.
- The appliance is intended for fixed installation only; any other approaches must be agreed with and approved by the manufacturer.
- Remove the protective film from its body panels before operating the dishwasher.

2.3 Electrical connection

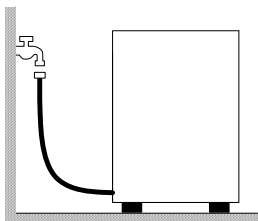


- The power supply must be fitted with a omnipolar circuit breaker (master power switch) to break all contacts including neutral, with a contact gap of at least 3 mm and thermal cutout or fuses, which must be set or rated to the power indicated on the machine's nameplate.
- The master power switch must be fitted to the power line in the vicinity of the installation and may be connected to only one machine at a time.
- The mains voltage and frequency must match the nameplate ratings.
- The installation must include a grounding system conforming with established electrical safety legislation, to protect the operator and the appliance itself

- The power line, which must be H07RN-F unit, must not be stretched or crushed during normal operation or maintenance.
- The appliance must also be connected to an equipotential system with the screw marked with the symbol. 
- The equipotential cable must have a cross section of 10 mm².
- Respect the polarities indicated in the wiring diagram.
- For further information, refer to the wiring diagram.



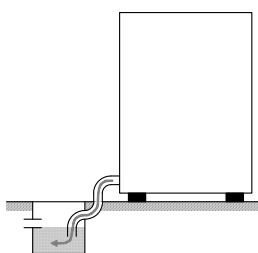
Do not use multi-sockets, adapters, cables of an inadequate cross section or type or with extensions not conforming to established electrical installation regulations.



2.4 Water circuit hookup

The appliance must be connected to its water supply with a flexible hose. A shut off valve (cock) must be installed between the water supply line and the appliance's solenoid valve. The cock must be close to the appliance.

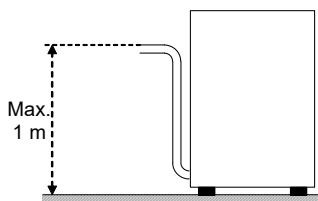
- The water supply, temperature and pressure **must be compatible** with the ratings on the machine's nameplate.
- If the hardness of the water is greater than 14 F (8 dH), we recommend using an internal water softener (available on request). If the hardness of the water is greater than 35 F (19.5 dH), install and external water softener upline of the solenoid valve.
- If the water has a very high residual concentration of high conductivity minerals, we recommend installing a demineralisation system.



Free drain

2.5 Connection to the drain line

- The drain line must consist of a free drain sump with siphon suited to the flow capacity of the drain hose supplied with the appliance. The hose must be able to reach the sump without stretching, restriction, folding, crushing, pressing or forcing in any way.
- The tub drains under gravity, so the drain sump must be lower than the machine's base.



With pump (available on request)

- if the drain is not lower than the base of the appliance, you can use the version with drain pump (available on request).
- In this case, the drain connection may be no higher than 1 m.
- Always check that the drain works properly and is not blocked.
- Any other solution must be approved by the manufacturer in advance.

2.6 Rinse aid and detergent

- The rinse aid and detergent are dispensed by the machine's integral dispenser (depending on model).
- The dose is set by the installer in relation to the hardness of the water, and he also calibrates the dispensers themselves.
- Before calibrating them, fill the dispenser supply tubes with their respective product.
- The units are calibrated with the adjuster screws, or directly with the control panel (as applicable).
- The level of fluid in the container must be sufficient for priming; do not allow it to drain completely or top it up with corrosive or impure product.

NEVER use CHLORINE or HYPOCHLORITE based detergents.

We recommend installing an automatic detergent dispenser.

Chap 3 RISKS AND IMPORTANT WARNINGS

- This appliance is intended solely for the use for which has been designed. Any other use is improper and hazardous.
- The specialised technician responsible for installing the appliance must instruct the user on its operation and any attendant safety measures, including practical demonstrations.
- Only the manufacturer or an authorised service centre with qualified staff may work on the machine, even in case of malfunction, using only original spare parts.
- Always disconnect or isolate the machine from its power and water supplies before servicing, repairing or cleaning it.
- The machine may **NOT** be used by persons untrained in its use.
- The machine may **NOT** be left powered up when not in use.
- **NEVER** open the machine quickly if it has not completed its cycle.
- **NEVER** use the machine with its guards removed.
- **NEVER** use the machine to wash objects of any form, size or material not guaranteed to be machine-washable or not in good condition.
- **NEVER** use the machine or any of its assemblies as steps or support for persons, property or animals.
- **NEVER** overload the open door of front-loading machines, which is rated only to support the basket loaded with dishes.
- **NEVER** place your bare hands in the wash solution.
- **NEVER** overturn the machine after it has been installed.
- If you notice any malfunction or fluid leak, immediately disconnect the power supply and shut off the water supply.
- Do not install the dishwasher in the vicinity of heat sources over 50°C.
- **NEVER** leave the dishwasher exposed to the weather (rain, direct sunlight, etc.)
- The dishwasher may not be installed outdoors without proper cover.
- Never start a wash programme without the overflow in the tub (as applicable).
- Never place magnetic objects in the vicinity of the machine.
- Do not use the top of the machine as a table or support.
- The installer is responsible for checking that the grounding system is fully operational.
- At the end of testing, the installer must issue a written declaration stating that the machine has been installed and tested in accordance with established legislation and good practice.
- **DO NOT** change the position or tamper with the elements that compose the machine, these operations could compromise its safety.
- Weighted sound pressure level $L_{pA} \leq 70$ dB(A).

3.1 Normal operating conditions

Ambient temperature: 40°Cmax / 4°Cmin (average 30°C)
Altitude : up to 2000 metres
Relative humidity : Max 30% at 40°C / max 90% at 20°C

Chap 4 USING THE MACHINE

4.1 Key and symbols

Referring to **Fig.1**:

1	ON/OFF LED AND BUTTON	4b	RINSE TEMPERATURE DISPLAY
2	PROGRAMME SELECTION BUTTON	5	CYCLE LED
3	START BUTTON	6	STATE LED
4	AUTOMATIC START BUTTON	7	AUTOMATIC START LED (hood only)
4a	WASHING TEMPERATURE DISPLAY		



Short washes



Drain cycle



Medium wash



Continuous wash



Long wash

4.2 Switching the dishwasher on

Referring to **Fig.2**

- Turn on the main power switch and open the external water tap.
- Check the presence of the overflow.
- Press **ON/OFF (1)**.
- When the tub level is reached the **STATE LED (6)** switches off.
- The green dot in the corner of the **TEMPERATURE DISPLAY (4a - 4b)** indicates that the washing nor rinsing water is heating..
- When the working temperature is reached, the **STATE LED (6)** stays on, green.
- The optimal wash conditions have been reached.

4.3 Filling the rack

Referring to **Fig. 3**, to ensure the correct operation of the dishwasher follow the rules described below:

- Use a suitable rack, fill without overloading and without overlapping the dishes.
- Always wipe the dishes before placing in the dishwasher; do not put dishes with dry or solid residues in the washer.
- Place the empty dishes in the rack facing downwards.
- Place plates and the like in the sloping rack, with the inner surface facing upwards.
- Place the cutlery in the cutlery basket, handle end down.
- Do not place silver and stainless steel cutlery in the same cutlery basket as this will turn the silver brown and may corrode the steel.
- Wash the dishes immediately after use, in order to prevent any residue from hardening and sticking on them.
- Use only solid, dishwasher-proof dishes.

4.4 Cycle selection and start-up

4.4.1 Under-counter dishwashers

- Press the **PROGRAMME SELECTION (2)** button repeatedly to select a wash cycle that is suitable for the dishes to be washed; the cycle LED lights up to indicate the cycle chosen (**Fig. 4**).
- To run the programme, press **START (3)**; the **CYCLE LED (5)** corresponding to the chosen wash cycle starts to flash.
- When the cycle is completed, it stays on, fixed.
- For rapid drying, remove the rack from the machine as soon as the cycle finishes.
- To stop a wash cycle early, press the **START** button (**3**).

4.4.2 Hood dishwashers

- Press the **PROGRAMME SELECTION (2)** button repeatedly to select a wash cycle that is suitable for the dishes to be washed; the cycle LED lights up to indicate the cycle chosen (**Fig. 4**).
- Press **AUTOMATIC START** button (**4**), the **AUTOMATIC START LED (7)** lights up
Use the **START** button (**3**) if there is no button **4**.
- Lower the hood; the cycle starts automatically and the **CYCLE LED (5)** corresponding to the chosen wash cycle starts to flash.
- When the cycle is completed, it stays on, fixed.
- For rapid drying, remove the rack from the machine as soon as the cycle finishes.
- To stop a wash cycle early, press the **START** button (**3**).

4.5 Continuous washing (*optional)

- This is an extended cycle; the time varies according to the model.
- The cycle duration may be varied as required by pressing **START (3)** during the wash cycle, to interrupt the wash and start the rinse phase.

4.6 Removing the integral filter

- Move the washing and rinsing arms at right angles to the edge of the door (**Fig.7**).
- Lift each semi-filter by the relative handle.

4.7 Emptying the dishwasher

4.7.1 Appliances with no drain pump

- Switch the dishwasher off.
- Remove the integral filter if present (**Fig.7 A**).
- Pull the overflow upwards (**Fig.8 B**), and wait for the tub to drain completely.
- If necessary, extract the tub filter and clean (**Fig. 8 C**).

4.7.2 Appliances with drain cycle (*optional)

- Select the drain cycle using the **PROGRAMME SELECTION** button (**2**).
- If present, remove the integral filter (**Fig.7 A**).
- Pull up and remove the overflow (**Fig. 9**).
- Close the door/hood.
- Press **START (3)** to run the cycle.
- The machine runs a drain cycle with self-cleaning (*optional) and then switches off.
- If necessary, extract the tub filter and clean (**Fig. 8 C**).

4.8 Turning the dishwasher off

- Press **ON/OFF (1)**, on the **DISPLAY (4)** the central segments will light up, indicating that the machine is powered.

4.9 Resin regeneration (*optional)

In machines fitted with water softener, when the warning **'SA Lt'** appears you should add salt to the relative container; proceed as follows:

- Remove the basket from the machine.
- Remove the integral filter (*Fig. 7*).
- Unscrew the cap on the salt container (*Fig. 11*).
- Pour in approx. 700g of large-grain kitchen salt, using the funnel supplied. (when filling for the first time, fill the tank firstly with water)
- Close the container firmly.
- Rinse the area around the salt cap by hand and run a self-cleaning cycle to avoid any risk of corrosion.
- The **'SA Lt'** warning will disappear after a few minutes.

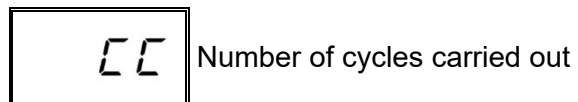
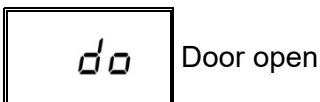
The warning **re G** on the display indicates that the machine is running a resin regeneration cycle, needed to ensure the correct operation of the water softener; while this warning is shown, the cycles run could be longer than usual.

N.B. Do not switch off the machine if a regeneration cycle is underway

4.10 Displaying information

With the machine on, hold the **PROGRAMME SELECTION button (2)** down for five seconds until **"CC"** appears, followed by the number of wash cycles carried out during the machine life.

4.11 List of viewable messages



4.12 End of shift

- At the end of the day always drain the machine as described in the section Machine draining.
- Disconnect the power supply by means of the main switch and close the external water cock.
- Perform routine maintenance and clean the machine as described in the section Maintenance.
- If possible, leave the door ajar to prevent bad odours building up inside the machine.

Chap 5 MAINTENANCE

5.1 General rules



Before doing any maintenance, completely drain out all water, shut off the power supply and close the water supply cock.

Do not use water under pressure - it can damage the electrical equipment.

Only wash the body panelling when it is cold, using only product specifically designed for steel.

If there is a risk of ice forming, drain the water from the boiler and wash pump.

5.2 Cleaning

To keep the machine in good working order, it must be maintained regularly as explained below. We recommend periodically running a sanitising treatment with suitable non-corrosive commercial products.

5.3 Cleaning the filter unit

Run this procedure at the end of the day or when you see the filters are dirty:

1. Remove and clean the baskets.
2. Empty out the tub as explained in "Machine draining".
3. Remove and carefully clean all the filters.
4. Do not use abrasive products to clean the tub.
5. Restore all removed parts when finished.

5.4 Cleaning the arms

The wash and rinse arms are easily removed in order to clean their nozzles and prevent blockage/encrustations.

Proceed as follows (**Fig.10**):

- Undo nut **R** and remove the arms.
- Wash all parts under a jet of running water and clean the nozzles thoroughly, using a toothpick or pointed tool if necessary.
- Clean the arm rotation pins inside the machine and the wash and rinse water drainage area.
- Restore the arms and check that they rotate freely.

Chap 6 SELF DIAGNOSTICS

The machine is equipped with a self-diagnosis system that registers and warns of a number of malfunctions.

Fault		Description and possible remedies
	E-r01	No rinsing. The rinsing cycle was not completed correctly. Make sure that the rinsing nozzles are clean.
	E-r02	No drainage. The water was not drained or drained incorrectly. Check that the drain pipe is not bent or crushed and that the siphon and filters are not blocked. In machines fitted with an overflow pipe, remove this before starting the drainage cycle.
	E-r03	Rinsing temperature reset fault. The boiler temperature did not reset in the set time during the washing cycle. Switch the machine off and then on and run a new cycle.
SAFE	E-r04	Water filling in tank fault. Make sure the pipes are connected correctly, and that the water tap is open. Where foreseen, check the presence of the overflow. Switch the dishwasher off and then on and fill again.
	E-r05	Tank thermometer fault. (Probe open) The machine does not read the tank temperature value. Switch the dishwasher off and then on.
	E-r06	Tank thermometer fault. (Probe short circuited) The machine does not read the tank temperature value. Switch the dishwasher off and then on.
	E-r07	Boiler thermometer fault. (Probe open) The machine does not read the boiler temperature value. Switch the dishwasher off and then on.
	E-r08	Boiler thermometer fault. (Probe short circuited) The machine does not read the boiler temperature value. Switch the dishwasher off and then on.
	E-r09	Boiler loading time out: boiler not filled. Impossible to carry out rinse cycle. Check that the water tap is open. Switch the dishwasher off and then on and run a new cycle.
	E-r22	Tank temperature reset fault: The tank temperature did not reset in the set time during the washing cycle. Switch the machine off and then on and run a new cycle.
SAFE	E-r5F	Electro-mechanical safety device: the boiler or tub safety thermostats have cut in, or the tub safety pressure switch has been triggered.
SAFE	E-r5L	Level safety switch: Incorrect water level in the tank.
WARNING! Switching the dishwasher off and then on again "resets" the signals, if after carrying out the instructions given the problem persists, contact an Authorised Service Centre.		



The following settings should only be configured by a qualified technician.

The parameters listed below can be set during installation of afterwards, accessing the settings menu as follows:

- Machine in standby with door open.
- Press buttons 2 and 3 together (cycle selection and **START**) for 5 seconds and enter the key **CH 12** (buttons 2 and 3 to change the parameter, 1 to confirm).
- Then press button 1 (**ON/OFF**) repeatedly to scroll through the following headings, enabling and/or changing them using buttons 2 and 3 (the modified parameter is memorised without being confirmed). The list of parameters may vary according to the type of dishwasher.

	Language	Language selection
b	Boiler Temperature	Boiler temperature settings for programmes. In the versions with atmospheric boiler (rinse pump) there are different settings for each programme (b1 – b2 – b3)
t	Tank Temperature	Tub temperature regulation for programmes. Rinse pump versions have different settings for each programme (t1 – t2 – t3)
tH	Thermo - Stop	Enabling the Thermostop function, which guarantees the correct rinse temperature.
ES	Energy Saving	Enabling the Energy Saving function, which guarantees energy savings when the dishwasher is on but not in use.
dn	Detergent Pump	Manual operation of detergent doser
bn	Rinse Aid Pump	Manual operation of rinse aid doser
rn	Manual Rinse	Manual operation of the rinse pump
dt	Dosage Detergent	Detergent dosing time
bl	Dosage Rinse Aid	Rinse aid dosing time
dH	Water Hardness	Setting the supply water hardness (dishwashers with water softener): enter the values given in the table below
sr	Set Number Service Cycles	Setting and enabling the cycle counter to enable the servicing warning
AA	Autostart Autoenabling	Automatic enabling of automatic starting
CC	Cycle Counter	Cycle counter

Once all necessary parameters have been set, to exit and memorise any changes simply press and hold button 1 for a few seconds until the on-line dashes appear.

7.1 Hardness settings for the incorporated water softener

Set the hardness level of the water supply **dH** in the settings menu following the instructions given in the following table:

Measured hardness		dH
°fr	dGH	n°
0 ÷ 20	0 ÷ 11	1
21 ÷ 25	12 ÷ 14	2
26 ÷ 30	15 ÷ 17	3
31 ÷ 35	17 ÷ 20	4
36 ÷ 40	20 ÷ 22	5
41 ÷ 45	23 ÷ 25	6
46 ÷ 50	26 ÷ 28	7
51 ÷ 55	29 ÷ 31	8
56 ÷ 60	31 ÷ 34	9

Chap 8 SCRAPPING

Our machines do not contain materials requiring special handling.



(Applicable in the EU and countries with sorted waste disposal)

The mark applied to the product or its documentation indicates that it must not be scrapped with domestic waste when it reaches the end of its service life. To prevent damage to the environment or health risks due to improper scrapping, keep this product separate from other waste and recycle it so as to promote sustainable use of materials.

Domestic users are requested to contact their reseller or local authority for information on sorted waste disposal and recycling for this type of product.

Corporate users are requested to contact their supplier and check the terms and conditions of the purchase contract.

The product may not be scrapped together with other commercial waste.

Chap 9 ENVIRONMENT

RESPECT FOR THE ENVIRONMENT

Proper use of the dishwasher can improve its environmental footprint, if the following simple rules are observed:

Only wash full baskets.

Switch the dishwasher off when not using it.

Keep the machine closed when it is in standby.

Use wash programmes suited to the amount of soiling.

Supply the machine with hot water, if gas heated.

Make sure the drains flow into a suitable sewer.

Do not exceed the recommended dose of detergent.

The manufacturer reserves the right to modify the electrical, technical and aesthetic features of this appliance and replace any of its parts without notice, as he deems necessary to offer a reliable product with a long service life and advanced technology.

ÜBERSETZUNG DER ORIGINAL-BEDIENUNGSANLEITUNG

INHALT

KAP 1	EINLEITUNG	2
KAP 2	INSTALLATION	2
2.1	AUSPACKEN.....	2
2.2	AUFSTELLUNG	3
2.3	ELEKTRISCHER ANSCHLUSS	3
2.4	WASSERANSCHLUSS	4
2.5	ABFLUSSANSCHLUSS	4
2.6	KLARSPÜLMITTEL UND REINIGER	4
KAP 3	RISIKEN UND WICHTIGE WARNHINWEISE	5
3.1	NORMALE BETRIEBSBEDINGUNGEN.....	5
KAP 4	BENUTZUNG DER SPÜLMASCHINE	6
4.1	LEGENDE UND ZEICHENERKLÄRUNG	6
4.2	INSCHALTEN.....	6
4.3	DEN GESCHIRRKORB BELADEN.....	6
4.4	PROGRAMMAUSWAHL UND -START.....	7
	4.4.1 <i>Einbauspülmaschinen</i>	7
	4.4.2 <i>Durchschubspülmaschinen</i>	7
4.5	UNBEGRENZTES SPÜLPROGRAMM (* OPTIONAL).....	7
4.6	ENTNEHMEN DES BODENSIEBS	7
4.7	ENTLEEREN DER SPÜLMASCHINE.....	7
	4.7.1 <i>Geräte ohne Ablaufpumpe</i>	7
	4.7.2 <i>Geräte mit Ablaufpumpe (* optional)</i>	7
4.8	AUSSCHALTEN DER SPÜLMASCHINE.....	8
4.9	REGENERIERUNG DER AUSTAUSCHHARZE (* OPTIONAL)	8
4.10	INFORMATIONSANZEIGEN.....	8
4.11	ÜBERSICHT DER MÖGLICHEN ANZEIGEN	8
4.12	BETRIEBSENDE	8
KAP 5	WARTUNG	9
5.1	ALLGEMEINE REGELN.....	9
5.2	REINIGUNG	9
5.3	REINIGUNG DER FILTERGRUPPE	9
5.4	REINIGUNG DER SPÜLARME.....	9
KAP 6	SELBSTDIAGNOSE	10
KAP 7	EINSTELLUNGEN UND ANPASSUNGEN	11
7.1	EINSTELLUNG DER WASSERHÄRTE AN GERÄTEN MIT EINGEBAUTEM WASSERENTHÄRTER....	12
KAP 8	ENTSORGUNG	12
KAP 9	UMWELT	12

Der Hersteller behält sich entsprechend der Gesetze die Eigentumsrechte am vorliegenden Dokument vor. Ohne vorherige schriftliche Genehmigung sind die Vervielfältigung und Weitergabe dieses Dokuments verboten.

Der Hersteller behält sich das Recht vor ohne Vorankündigung durch Verbesserungen, die von ihm für notwendig befunden wurden, die vorliegende Anleitung zu ändern.



Die in der vorliegenden Bedienungsanleitung enthaltenen Warnhinweise geben wichtige Sicherheitsanweisungen bei den einzelnen Installationsphasen, dem Gebrauch und der Wartung.

Die Nichtbeachtung der in der vorliegenden Anleitung enthaltenen Anweisungen kann die Sicherheit des Geräts beeinträchtigen und führt zum sofortigen Verfall der Garantie.

Hinweise:

Die gesamte Dokumentation sorgfältig in der Nähe des Geräts aufbewahren. Sie muss den Technikern und Bedienern ausgehändigt und an einem sicheren Ort sorgfältig aufbewahrt werden; bei Bedarf Kopien anfertigen, die ein häufiges Nachschlagen erlauben

Der Bediener ist verpflichtet, die vorliegende Bedienungsanleitung vor jeglicher Arbeit an der Maschine zu lesen, zu verstehen und zu lernen.

Das Gerät ist für das gewerbliche Geschirrspülen in Gemeinschaftsküchen vorgesehen, d. h. die Installation, der Betrieb und die Wartung erfolgen durch ausgebildetes Fachpersonal, das sich an die Herstelleranweisungen halten muss.

Garantie:

Der Hersteller übernimmt keinerlei Haftung für Sach- oder Personenschäden, die aus der Nichtbeachtung der gegebenen Anweisungen oder einem unsachgemäßen Einsatz der Maschine entstehen

Die Nichtbeachtung der in der vorliegenden Anleitung enthaltenen Anweisungen kann die Sicherheit des Geräts beeinträchtigen und führt zum sofortigen Verfall der Garantie

Die Ausführung von Installations- und Reparaturarbeiten durch nicht autorisiertes Personal und die Verwendung von Nichtoriginal-Ersatzteilen führen zum sofortigen Verfall der Garantie.

Lagerung :

Transport und Lagerung : von -10°C bis 55°C mit Höchstwerten bis 70°C (max. 24 h)

Kap 2 INSTALLATION

Eine richtige Installation ist grundlegende Voraussetzung für ein gutes Funktionieren der Maschine. Einige notwendige Angaben für die Maschineninstallation befinden sich auf dem Typenschild auf der rechten Maschinenseite, eine Kopie ist auf dem Deckblatt dieser Bedienungsanleitung wiedergegeben.



Die Installation darf ausschließlich von qualifiziertem und autorisiertem Fachpersonal vorgenommen werden.

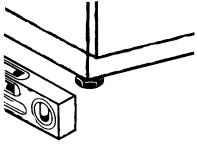
2.1 Auspacken

Die Verpackung auf Schäden überprüfen. Eventuell bemerkte Schäden auf dem Lieferschein vermerken. Nach der Entfernung der Verpackung sicherstellen, dass das Gerät sich in einwandfreiem Zustand befindet. Wenn die Maschine beschädigt ist, sofort den Vertragshändler per Fax oder Einschreiben mit Rückantwort und das Transportunternehmen davon unterrichten. Wenn die Schäden die Maschinensicherheit beeinträchtigen, die Maschine bis zum Eingriff eines Fachtechnikers nicht installieren und/oder benutzen.



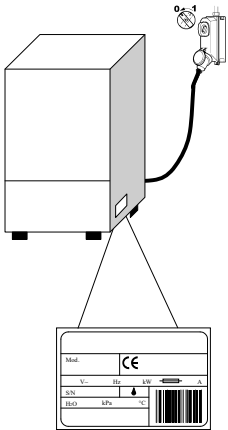
Die Verpackungsteile (Plastikbeutel, Styropor, Nägel usw. ...) von Kindern und Haustieren fernhalten. Die Verpackungsteile können eine Gefahrenquelle darstellen.


2.2 Aufstellung



- Prüfen, dass sich im Installationsbereich keine Gegenstände oder Materialien befinden, die vom Wasserdampf, der während des Betriebs aus der Maschine austreten kann, beschädigt werden können, bzw. dass diese ausreichend geschützt sind.
- Vor der Installation des Geschirrspülers die elektrische Anlage sowie die Wasserzulauf- und Wasserablaufanschlüsse vorbereiten
- Der Fußboden oder die Einbauöffnung müssen für das Gesamtgewicht des Geschirrspülers ausgelegt sein
- Um die Stabilität sicherzustellen, die Maschine installieren und mit den vier Stellfüßen nivellieren.
- Dieses Gerät ist nur für den Festanschluss geeignet. Andere Installationslösungen müssen mit dem Hersteller vereinbart und von diesem genehmigt werden.
- Vor dem ersten Gebrauch des Geschirrspülers den Schutzfilm vom Gehäuse abziehen.

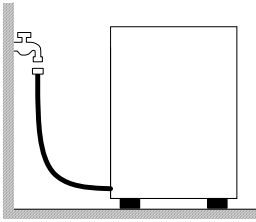
2.3 Elektrischer Anschluss



- Es muss ein allpoliger Hauptschalter vorhanden sein, mit dem alle Kontakte einschließlich des Nullleiters getrennt werden. Die getrennten Kontakte müssen einen Abstand von mindestens 3 mm haben. Der Schalter muss über eine thermomagnetische Schutzvorrichtung ausgelöst bzw. zusammen mit Sicherungen gekoppelt werden. Die Sicherungen und der Schalter müssen anhand der auf dem Typenschild angegebenen Maschinenleistung ausgelegt werden.
 - Der Hauptschalter muss sich an der Stromleitung in der Nähe des Aufstellungsortes befinden. Am Hauptschalter darf stets nur ein Gerät angeschaltet sein.
 - Die Spannung und die Frequenz des Stromnetzes müssen mit den Angaben auf dem Typenschild übereinstimmen.
 - Für die Sicherheit des Bedieners sowie die Gerätesicherheit muss entsprechend der geltenden Schutzvorschriften eine ausreichende Erdung vorgesehen werden
- Das Anschlusskabel darf ausschließlich ein Kabel des Typs H07RN-F sein. Das Kabel darf bei normalem Maschinenbetrieb oder der normalen Wartung nicht gezogen bzw. gequetscht werden.
 - Das Gerät muss in ein Potentialausgleichssystem eingebunden werden, der Anschluss erfolgt über die Schraube mit dem Symbol 
 - Der Potentialausgleichsleiter muss einen Querschnitt von 10 mm² haben.
 - Beachten Sie die auf dem Schaltplan angegebene Polarität.
 - Für weitere Informationen siehe den anliegenden Schaltplan.



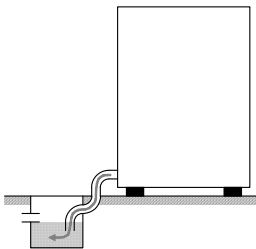
Keine Adapter, Mehrfachsteckdosen, Kabel mit unzureichendem Querschnitt oder mit Verlängerungsanschlüssen verwenden, die nicht den geltenden Anlagennormen entsprechen.



2.4 Wasseranschluss

Das Gerät wird mit einem Schlauch an die Wasserleitung angeschlossen. Zwischen dem Wasseranschluss und dem Magnetventil im Gerät muss ein Absperrventil angebracht werden. Das Absperrventil muss sich in der Nähe des Gerätes befinden.

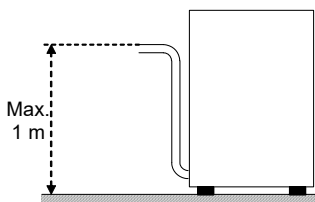
- Die Wasserversorgung, die Temperatur und der Druck **müssen mit den Angaben** auf dem Typenschild der Maschine übereinstimmen.
- Bei einer Wasserhärte über 14 F (8 dH) raten wir dazu, die Maschine mit eingebautem Wasserenthärter zu benutzen (auf Anfrage erhältlich). Bei einer Wasserhärte über 35 F (19,5 dH) raten wir dazu, einen externen Wasserenthärter vor dem Magnetventil zu installieren.
- Eine hohe elektrische Leitfähigkeit des Wassers weist auf eine sehr hohe Konzentration der im Wasser gelösten Mineralsalze hin; in diesem Fall raten wir zur Installation einer Entmineralisierungsanlage.



Freier Abfluss

2.5 Abflussanschluss

- Die Abflussleitung muss aus einer Grube mit freiem Siphon bestehen. Die Maße müssen für den Durchsatz des mit der Maschine mitgelieferten Abflussrohrs geeignet sein. Das Abflussrohr muss ohne gezogen, gebogen, gedrückt, gequetscht oder sonst wie behindert zu werden zur Grube geleitet werden.
- Das Entleeren der Grube erfolgt durch Schwerkraft, d. h. der Abfluss muss sich unterhalb des Maschinenbodens befinden.
- Falls sich der Abfluss nicht unterhalb des Maschinenbodens befindet, kann ein Modell mit Abwasserpumpe benutzt werden (auf Anfrage erhältlich).
- In diesem Fall beträgt die maximal zulässige Höhe des Abflusses 1 Meter.
- Stets prüfen, dass der Abfluss richtig funktioniert und nicht verstopft ist.
- Alle anderen Lösungen müssen vorher mit dem Hersteller abgesprochen und von diesem genehmigt werden.



Mit Abwasserpumpe (auf Anfrage erhältlich)

2.6 Klarspülmittel und Reiniger

- Die Dosierung des Klarspülmittels und Reinigers erfolgt über die serienmäßig in der Maschine eingebaute Dosiereinrichtung, sofern sie das Modell vorsieht.
- Die Dosierung wird abhängig von der Wasserhärte vom Installationstechniker bestimmt, der auch die Einstellung der Dosierer vornimmt.
- Vor der Einstellung die Zulaufschläuche der Dosierer mit dem entsprechenden Produkt füllen.
- Die Einstellung erfolgt über die entsprechenden Stellschrauben oder direkt über die Bedienblende (sofern vorgesehen).
- Der Flüssigkeitsstand im Behälter muss für die Ansaugung ausreichend sein. Er darf nie bis zur Entleerung absinken und auch nicht mit korrosiven oder unreinen Produkten aufgefüllt werden.

KEINESFALLS CHLOR- oder HYPOCHLORITHALTIGE Reiniger verwenden.

Die Installation einer automatischen Spülmitteldosiereinrichtung wird stets empfohlen.

Kap 3 RISIKEN UND WICHTIGE WARNHINWEISE

- Dieses Gerät ist nur für den Gebrauch vorgesehen, für den es ausdrücklich entwickelt wurde. Jeder andere Einsatz ist ungeeignet und daher gefährlich.
- Das Installations-Fachpersonal ist angehalten, den Benutzer auf angemessene Weise über die Bedienung des Geräts und eventuell zu beachtende Sicherheitsmaßnahmen, auch mit praktischen Vorführungen, zu unterrichten.
- Alle Arbeiten an der Maschine, auch bei Störung bzw. Ausfall, dürfen nur vom Hersteller oder einem autorisierten Kundendienstzentrum bzw. Fachpersonal vorgenommen werden. Dabei müssen ausschließlich Originalersatzteile verwendet werden.
- Vor Wartungsarbeiten, Reparaturen und Reinigung die Maschine stets vom Stromnetz und vom Wasseranschluss trennen.
- Die Maschine darf **NICHT** von nicht ausgebildetem Personal benutzt werden.
- Die Maschine darf **NICHT** unter Spannung bleiben, wenn sie nicht benutzt wird.
- Solange der Spülzyklus nicht beendet ist, **NIEMALS** kurz die Gerätetür öffnen.
- Die Maschine **NIEMALS** ohne die vom Hersteller vorgesehenen Schutzvorrichtungen benutzen.
- Die Maschine **NIEMALS** zum Spülen von Gegenständen benutzen, die von Form, Ausmaßen oder Material nicht zum Spülen in Maschinen garantiert oder die nicht in perfektem Zustand sind.
- Das Gerät oder Geräteteile **NIEMALS** als Leiter oder Halt für Personen, Sachen oder Tiere verwenden.
- Die geöffnete Klappe der Maschine mit Frontladung **NIEMALS** überlasten. Die Klappe ist so ausgelegt, dass sie nur den mit Geschirr beladenen Korb aushält.
- **NIEMALS** die nackten Hände in die Spüllösungen tauchen.
- Die Maschine nach der Installation **NIEMALS** kippen.
- Falls man eine Störung oder eine Leckage bemerken sollte, sofort die Stromzufuhr trennen und die Wasserversorgung schließen.
- Die Spülmaschine nicht in der Nähe von Wärmequellen über 50°C aufstellen.
- Die Spülmaschine **NIEMALS** der Witterung aussetzen (Regen, Sonne, usw.)
- Die Spülmaschine darf nicht in Außenbereichen ohne geeignete Schutzabdeckungen installiert werden.
- Nie ein Spülprogramm ohne den Überlauf starten (sofern vorgesehen).
- Nie magnetische Gegenstände in Maschinennähe bringen.
- Die Oberseite der Maschine nicht als Ablage benutzen.
- Der Installateur muss die vorschriftsmäßige Erdung überprüfen.
- Nach durchgeführter Prüfung muss der Installateur eine schriftliche Erklärung ausstellen, dass die Installation und Abnahmeprüfung ordnungsgemäß und fachgerecht nach den gesetzlichen Bestimmungen ausgeführt wurde.
- Die Position **NICHT** verändern und keine Eingriffe an einzelnen Geräteteilen vornehmen, da hierdurch die Sicherheit des Gerätes beeinträchtigt werden könnte.
- Emissions-Schalldruckpegel am Arbeitsplatz $L_pA \leq 70$ dB(A).

3.1 Normale Betriebsbedingungen

Umgebungstemperatur : 40°Cmax /4°Cmin (Mittelwert 30°C)

Höhe : bis 2000 Meter

Relative Feuchte : Max 30% bei 40°C / max 90% bei 20°C

Kap 4 BENUTZUNG DER SPÜLMASCHINE

4.1 Legende und Zeichenerklärung

Siehe **Abb. 1**:

1	TASTE UND LED ON/OFF	4b	DISPLAY KLARSPÜLTEMPERATUR
2	TASTE PROGRAMMAUSWAHL	5	LED PROGRAMMANZEIGE
3	TASTE START	6	LED BETRIEBSANZEIGE
4	TASTE AUTOMATISCHEN START (nur Durchschubspülmaschinen)	7	LED AUTOMATISCHER START (nur Durchschubspülmaschinen)
4a	DISPLAY SPÜLTEMPERATUR		



Kurzprogramme



Ablaufzyklus



Mittleres Spülprogramm



Unbegrenztes Spülprogramm



Langes Spülprogramm

4.2 inschalten

Siehe **Abb. 2**:

- Schalten Sie den Hauptschalter ein und öffnen Sie den externen Wasserhahn.
- Prüfen Sie, ob der Überlauf vorhanden ist.
- Drücken Sie die Taste **ON/OFF (1)**.
- Die **BETRIEBSANZEIGE (6)** blinkt rot, bis der erforderliche Wasserstand erreicht ist.
- Wenn der erforderliche Wasserstand erreicht ist, erlischt die **BETRIEBSANZEIGE (6)**.
- Der grüne Punkt in der Ecke des **TEMPERATURDISPLAYS (4a - 4b)** zeigt die Aufheizung des Wassers für den Spülgang oder Klarspülgang an.
- Wenn die Betriebstemperatur erreicht ist, leuchtet die **BETRIEBSANZEIGE (6)** dauerhaft grün.
- Die optimalen Spülbedingungen sind erreicht.

4.3 Den Geschirrkorb beladen

Siehe **Abb. 3**: Damit das Gerät einwandfrei funktioniert, beachten Sie bitte folgende Hinweise:

- Verwenden Sie einen passenden Korb; beladen Sie ihn nicht zu voll und stapeln Sie die Geschirteile nicht übereinander.
- Entfernen Sie grobe und anhaftende Rückstände vom Geschirr, bevor Sie es in die Spülmaschine einräumen.
- Stellen Sie die leeren Behälter umgekehrt in den Korb.
- Stellen Sie Teller und flaches Geschirr mit nach oben geneigter Innenfläche schräg in den Tellerkorb.
- Besteck sollte mit dem Griff nach unten in den Besteckkorb gestellt werden.
- Räumen Sie Silber- und Edelstahlbesteck nicht in denselben Besteckkorb ein, um zu verhindern, dass das Silber anläuft und der Edelstahl Rostflecken bekommt.
- Das Spülgut sollte möglichst sofort nach dem Gebrauch gespült werden, damit die Rückstände nicht antrocknen und anhaften.
- Spülen Sie nur bruchfestes und spülmaschinengeeignetes Geschirr in der Maschine.

4.4 Programmauswahl und -start

4.4.1 Einbauspülmaschinen

- Wählen Sie durch wiederholtes Drücken der Taste **PROGRAMMAUSWAHL (2)** das gewünschte Spülprogramm in Funktion des Geschirrs und seiner Verschmutzung. Die Programmanzeige zeigt das gewählte Programm an (**Abb. 4**).
- Für den Programmstart drücken Sie die Taste **START (3)**; die **PROGRAMMANZEIGE (5)** des gewählten Spülprogramms beginnt zu blinken.
- Nach Abschluss des Spülprogramms leuchtet sie dauerhaft.
- Das Geschirr trocknet schneller, wenn der Geschirrkorb anschließend sofort aus der Maschine herausgezogen wird.
- Um das Spülprogramm vorzeitig zu unterbrechen, drücken Sie die Taste **START (3)**.

4.4.2 Durchschubspülmaschinen

- Wählen Sie durch wiederholtes Drücken der Taste **PROGRAMMAUSWAHL (2)** das gewünschte Spülprogramm in Funktion des Geschirrs und seiner Verschmutzung. Die Programmanzeige zeigt das gewählte Programm an (**Abb. 4**).
- Drücken Sie die Taste **AUTOMATISCHEN START (4)**, die **LED für AUTOMATISCHEN START (7)** leuchtet auf.
Mit der **START-Taste (3)**, wenn es keine Taste 4.
- Das Programm startet automatisch beim Senken der Haube; die **PROGRAMMANZEIGE (5)** des gewählten Spülprogramms beginnt zu blinken.
- Nach Abschluss des Spülprogramms leuchtet sie dauerhaft.
- Das Geschirr trocknet schneller, wenn der Geschirrkorb anschließend sofort aus der Maschine herausgezogen wird.
- Um das Spülprogramm vorzeitig zu unterbrechen, drücken Sie die Taste **START (3)**.

4.5 Unbegrenztes Spülprogramm (* optional)

- Hierbei handelt es sich um ein verlängertes Spülprogramm, dessen Dauer abhängig vom Modell variiert.
- Die Programmdauer kann nach Belieben eingestellt werden: Durch Drücken der Taste **START (3)** wird der laufende Spülgang unterbrochen und das Gerät schaltet auf Klarspülen.

4.6 Entnehmen des Bodensiebs

- Drehen Sie den Spül- und Klarspülarm orthogonal zur Gerätetür (**Abb. 7**).
- Entnehmen Sie die beiden Siebhälften an ihren Griffen.

4.7 Entleeren der Spülmaschine

4.7.1 Geräte ohne Ablaufpumpe

- Schalten Sie die Spülmaschine aus.
- Entnehmen Sie das Bodensieb, sofern vorhanden (**Abb. 7A**).
- Ziehen Sie den Überlauf nach oben heraus (**Abb. 8B**) und warten Sie, bis der Spülraum vollständig entleert ist.
- Falls erforderlich, entnehmen Sie das untere Sieb und reinigen Sie es (**Abb. 8C**).

4.7.2 Geräte mit Ablaufpumpe (* optional)

- Wählen Sie den Ablaufzyklus mit der Taste **PROGRAMMAUSWAHL (2)**.
- Falls vorhanden, entnehmen Sie das Bodensieb (**Abb. 7A**).
- Ziehen Sie den Überlauf nach oben heraus (**Abb. 9**).
- Schließen Sie die Gerätetür bzw. die Haube.
- Schalten Sie das Programm durch Drücken der Taste **START (3)** ein.
- Das Gerät führt einen Ablaufzyklus mit Selbstreinigung aus (* optional) und schaltet sich anschließend aus.
- Falls erforderlich, entnehmen Sie das untere Sieb und reinigen Sie es (**Abb. 8C**).

4.8 Ausschalten der Spülmaschine

- Drücken Sie die Taste **ON/OFF (1)**; am **DISPLAY (4)** bleiben die mittleren drei Segmente eingeschaltet und zeigen die anliegende Spannung an.

4.9 Regenerierung der Austauschharze (* optional)

Wenn bei Geschirrspülern mit Enthärter die Meldung **SA Lt** erscheint, muss der Salzbehälter aufgefüllt werden:

- Ziehen Sie den Geschirrkorb aus dem Gerät heraus.
- Entnehmen Sie das Bodensieb (**Abb. 7**).
- Schrauben Sie den Deckel des Salzbehälters ab (**Abb. 11**).
- Füllen Sie etwa 700 g grobes Salz mit dem beigegebenen Trichter ein. (Beim ersten Mal den Behälter anfangs mit Wasser füllen).
- Den Behälter wieder fest verschließen.
- Den Einfüllbereich von Hand nachspülen und anschließend einen Selbstreinigungszyklus ausführen, um Korrosionsprobleme zu vermeiden.
- Nach wenigen Minuten verschwindet die Anzeige '**SA Lt**'.

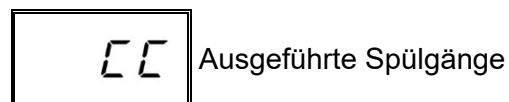
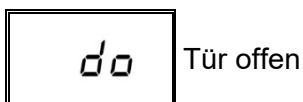
Die Anzeige **rE G** zeigt an, dass das Ionenaustauschharz regeneriert wird, um den einwandfreien Betrieb des Enthärtungssystems wiederherzustellen; das laufende Spülprogramm dauert möglicherweise länger.

Hinweis: Schalten Sie die Geschirrspülmaschine während des Regenerationszyklus nicht aus.

4.10 Informationsanzeigen

Halten Sie die Taste **PROGRAMMAUSWAHL (2)** bei eingeschaltetem Gerät fünf Sekunden lang gedrückt, bis die Anzeige "**CC**" und anschließend die Anzahl der Spülgänge erscheint, die das Gerät während seiner Nutzungsdauer bereits ausgeführt hat.

4.11 Übersicht der möglichen Anzeigen



4.12 Betriebsende

- Am Ende des Tages das Gerät immer entleeren. Halten Sie sich dabei an die Anweisungen im Abschnitt "Entleeren der Maschine".
- Mit dem Hauptschalter die Stromversorgung trennen und den externen Wasserzulaufhahn schließen.
- Die normalen Wartungsarbeiten ausführen und das Gerät entsprechend der Beschreibung im Abschnitt "Wartung" reinigen.
- Lassen Sie die Tür möglichst angelehnt, um das Entstehen unangenehmer Gerüche im Inneren zu vermeiden.

Kap 5 WARTUNG

5.1 Allgemeine Regeln



Vor Wartungsarbeiten jeder Art das Wasser vollständig ablassen, die Stromversorgung trennen und das externe Wasserventil schließen.

Keinen Druckwasserstrahl benutzen, da dieser die elektrische Anlage beschädigen könnte.

Die Außenflächen erst im abgekühlten Zustand mit speziellen Edelstahl-Pflegeprodukten reinigen.

Bei Vereisungsgefahr das Wasser aus dem Boiler und der Spülpumpe ablassen.

5.2 Reinigung

Zur Gewährleistung der Funktionstüchtigkeit der Maschine müssen regelmäßig die nachstehenden Wartungsarbeiten ausgeführt werden. Das Gerät muss außerdem regelmäßig mit geeigneten, nicht korrosiven, handelsüblichen Produkten desinfiziert werden.

5.3 Reinigung der Filtergruppe

Diese Arbeit am Ende des Tages ausführen, oder wenn man Schmutzrückstände an den Filtern bemerkt:

1. Die Körbe entfernen und reinigen.
2. Den Spülraum entsprechend den im Absatz "Entleeren der Maschine" angeführten Anweisungen entleeren.
3. Sämtliche Filter aus der Spülmaschine entfernen und sorgfältig reinigen.
4. Zur Reinigung des Stahl tanks keine scheuernde Produkte oder Gegenstände benutzen.
5. Am Ende der aufgelisteten Arbeiten alle Teile wieder richtig einsetzen.

5.4 Reinigung der Spülarme

Die Spül- und Nachspülarme können einfach entfernt werden, um die regelmäßige Reinigung der Düsen zu gestatten und möglichen Verstopfungen und/oder Ablagerungen vorzubeugen.

Wie folgt vorgehen (**Abb.10**):

- Die Nutmutter **R** abschrauben und die Arme herausziehen.
- Alle Teile unter fließendem Wasser waschen, die Düsen sorgfältig reinigen, dafür eventuell einen Zahnstocher oder kleine Werkzeuge benutzen.
- Die Drehzapfen der Arme in der Maschine und den Austrittsbereich des Spül- und Nachspülwassers reinigen.
- Die Arme wieder montieren und sicherstellen, dass sie sich frei drehen..

Das Gerät verfügt über ein Selbstdiagnosesystem, das verschiedene Störungen erfassen und melden kann.

Störung		Beschreibung und mögliche Abhilfe
	E-r-01	Klarspülprogramm nicht ausgeführt. Das Klarspülprogramm wurde nicht korrekt ausgeführt. Klarspüldüsen überprüfen und ggf. säubern.
	E-r-02	Kein Wasserablauf. Wasser läuft nicht oder nicht vorschriftsmäßig aus dem Gerät ab. Ablaufschlauch auf Knicke oder Quetschungen und Geruchsverschluss und Filter auf Verstopfungen untersuchen. Bei Maschinen mit Überlauf muss dieser vor dem Einschalten des Ablaufzyklus entfernt werden.
	E-r-03	Störung Klarspültemperatur. Der Boiler wurde während des Spülgangs nicht oder nicht innerhalb der vorgesehenen Zeit wieder auf Betriebstemperatur erhitzt. Das Gerät ausschalten und ein neues Programm ausführen.
SAFE	E-r-04	Störung Wassereinlauf in Spülraum. Die Wasseranschlüsse des Geräts überprüfen und, ob der Wasserzulaufhahn geöffnet ist. Wo vorgesehen, prüfen, ob der Überlauf vorhanden ist. Das Gerät ausschalten und erneut Wasser einlaufen lassen.
	E-r-05	Störung Spülraumthermometer. (Sonde offen) Das Gerät erfasst die Temperatur im Spülraum nicht. Das Gerät aus- und wieder einschalten.
	E-r-06	Störung Spülraumthermometer. (Kurzschluss Sonde) Das Gerät erfasst die Temperatur im Spülraum nicht. Das Gerät aus- und wieder einschalten.
	E-r-07	Störung Boilerthermometer. (Sonde offen) Das Gerät erfasst die Boilertemperatur nicht. Das Gerät aus- und wieder einschalten.
	E-r-08	Störung Boilerthermometer. (Kurzschluss Sonde) Das Gerät erfasst die Boilertemperatur nicht. Das Gerät aus- und wieder einschalten.
	E-r-09	Time out Boilerfüllung: Der Boiler wurde nicht gefüllt. Das Klarspülprogramm wird nicht ausgeführt. Prüfen, ob der Wasserzulaufhahn geöffnet ist. Das Gerät aus- und wieder einschalten und ein neues Programm ausführen.
	E-r-22	Störung Wiederherstellung Spülraumtemperatur: Der Spülraum wurde während des Spülgangs nicht oder nicht innerhalb der vorgesehenen Zeit wieder auf Betriebstemperatur erhitzt. Das Gerät ausschalten und ein neues Programm ausführen.
SAFE	E-r-5F	Elektromechanische Sicherheit: Die Sicherheitsthermostate von Boiler oder Tank oder der Tank-Sicherheitsdruckschalter wurden ausgelöst.
SAFE	E-r-5L	Sicherheit Füllstand: Wasserstand im Spülraum nicht korrekt.
ACHTUNG! Durch Aus- und Einschalten des Geräts werden die Anzeigen rückgesetzt. Sollte die Störung nach Ausführung der hier beschriebenen Schritte erneut auftreten, bitte den autorisierten Kundendienst verständigen.		

Kap 7 EINSTELLUNGEN UND ANPASSUNGEN



Die nachfolgenden Einstellungen dürfen ausschließlich von einem Fachmann vorgenommen werden.

Die Einstellung der unten aufgeführten Parameter kann bei der Installation oder später nach Aufruf des Einstellungsmenüs erfolgen.

- Gerät auf Stand-by bei geöffneter Tür.
- Halten Sie die Tasten 2 und 3 (Wahl des Spülprogramms und **START**) gleichzeitig 5 Sekunden gedrückt und geben Sie den Schlüssel **CH 12** ein (Parameteränderungen mit Tasten 2 und 3, Bestätigen mit Taste 1).
- Betätigen Sie anschließend wiederholt die Taste 1 (**ON/OFF**), um durch die folgenden Menüpunkte zu navigieren, die mit den Tasten 2 und 3 aktiviert bzw. verändert werden können (veränderte Parameter werden automatisch gespeichert und müssen nicht bestätigt werden). Die im Verzeichnis enthaltenen Parameter können abhängig vom Gerätetyp variieren.

	<i>Language</i>	Sprachwahl
	Boiler Temperature	Einstellung der Boilertemperatur für die Programme. Bei Ausführungen mit atmosphärischem Boiler (Klarspülpumpe) sind unterschiedliche Einstellungen für jedes Programm vorhanden (b1 – b2 – b3).
	Tank Temperature	Einstellung der Spülraumtemperatur für die Programme. Bei Ausführungen mit Klarspülpumpe stehen für jedes Programm unterschiedliche Einstellungen zur Verfügung (t1 – t2 – t3).
	Thermo - Stop	Aktivierung der Funktion "Thermostop", die eine optimale Klarspültemperatur gewährleistet.
	Energy Saving	Aktivierung der Funktion "Energy Saving", mit der Strom gespart wird, wenn das eingeschaltete Gerät nicht benutzt wird.
	Detergent Pump	Manuelle Betätigung des Spülmitteldosierers.
	Rinse Aid Pump	Manuelle Betätigung des Klarspülmitteldosierers.
	Manual Rinse	Manuelle Betätigung der Klarspülpumpe.
	Dosage Detergent	Spülmitteldosierzeit
	Dosage Rinse Aid	Klarspülmitteldosierzeit
	Water Hardness	Einstellung Härtegrad des Leitungswassers (Geräte mit Wasserenthärter): Die einzugebenden Werte bitte der Tabelle unten entnehmen.
	Set Number Service Cycles	Einstellung und Aktivierung des Zykluszählers, der die Wartungsmeldung aktiviert (Service).
	Autostart Autoenabling	Selbsttätige Aktivierung des automatischen Programmstarts.
	Cycle Counter	Zykluszähler

Um die eingestellten Parameter zu speichern und den Programmiermodus zu verlassen, halten Sie die Taste 1 gedrückt, bis die Segmente der Spannungsanzeige aufleuchten.

7.1 Einstellung der Wasserhärte an Geräten mit eingebautem Wasserenthärter
Stellen Sie den Härtegrad des Leitungswassers **dH** im Einstellungs Menü unter Bezugnahme auf die folgenden Tabellenwerte ein:

Gemessene Härte		dH
°fr	dGH	n°
0 ÷ 20	0 ÷ 11	1
21 ÷ 25	12 ÷ 14	2
26 ÷ 30	15 ÷ 17	3
31 ÷ 35	17 ÷ 20	4
36 ÷ 40	20 ÷ 22	5
41 ÷ 45	23 ÷ 25	6
46 ÷ 50	26 ÷ 28	7
51 ÷ 55	29 ÷ 31	8
56 ÷ 60	31 ÷ 34	9

Kap 8 ENTSORGUNG

An unseren Maschinen gibt es keine Materialien, für die besondere Entsorgungsmaßnahmen benötigt werden.



(Anzuwenden in den Ländern der Europäischen Union und in Ländern mit Anwendung separater Sammelsysteme)

Die Kennzeichnung auf dem Produkt bzw. auf der dazugehörigen Dokumentation gibt an, dass es am Ende seiner Lebenszeit nicht zusammen mit normalem Haushaltsmüll entsorgt werden darf. Entsorgen Sie dieses Gerät bitte getrennt von andern Abfällen und führen Sie es dem Recycling zu, um Umwelt und Gesundheit nicht zu schädigen und die nachhaltige Wiederverwendung der stofflichen Ressourcen zu ermöglichen.

Private Nutzer sollten den Händler, bei dem das Produkt gekauft wurde, oder die zuständigen Behörden kontaktieren, um Informationen zur getrennten Sammlung und zum Recycling dieses Produktes zu erhalten.

Gewerbliche Nutzer sollten sich an ihren Lieferanten wenden und die Fristen und Bedingungen des Kaufvertrags konsultieren.

Dieses Produkt darf nicht zusammen mit anderem Gewerbemüll entsorgt werden.

Kap 9 UMWELT

UMWELTFREUNDLICHER GEBRAUCH

Die Beachtung einfacher Maßnahmen kann zu einem umweltschonenden Gebrauch des Geschirrspülers beitragen:

Nur voll beladene Körbe waschen.

Den Geschirrspüler bei Nichtgebrauch ausschalten.

Die Maschine im Standby-Betrieb geschlossen halten

Das Spülprogramm je nach Verschmutzungsgrad wählen.

Bei Wassererwärmung mit Gas die Maschine an die Warmwasserleitung anschließen.

Das Abwasser muss in eine angemessene Kanalisation geleitet werden.

Die empfohlenen Reinigermengen nicht überschreiten.

Der Hersteller behält sich das Recht vor, ohne Vorankündigung Änderungen elektrischer, technischer und ästhetischer Art sowie Teileersetzungen vorzunehmen, um stets ein zuverlässiges, langlebiges und technisch fortschrittliches Produkt anbieten zu können.

TABLE DES MATIÈRES

CHAP 1	AVANT-PROPOS	2
CHAP 2	INSTALLATION	2
2.1	DÉBALLAGE	2
2.2	EMPLACEMENT	3
2.3	BRANCHEMENT ÉLECTRIQUE	3
2.4	BRANCHEMENT À L'ARRIVÉE D'EAU	4
2.5	BRANCHEMENT À L'ÉVACUATION DES EAUX USÉES	4
2.6	LIQUIDE DE RINÇAGE ET DÉTERGENT	4
CHAP 3	RISQUES ET AVERTISSEMENTS IMPORTANTS	5
3.1	CONDITIONS NORMALES D'UTILISATION	5
CHAP 4	UTILISATION DE LA MACHINE	6
4.1	LÉGENDE ET SYMBOLES	6
4.2	ALLUMAGE	6
4.3	PRÉPARATION DU PANIER	6
4.4	SÉLECTION ET DÉMARRAGE DU CYCLE	7
4.4.1	<i>lave-vaisselle encastrable (sous plan de travail)</i>	7
4.4.2	<i>Lave-vaisselle à capot</i>	7
4.5	LAVAGE CONTINU (*OPTION)	7
4.6	DÉPOSE DU FILTRE INTÉGRAL	7
4.7	VIDANGE DE L'APPAREIL	7
4.7.1	<i>Lave-vaisselle sans pompe de vidange</i>	7
4.7.2	<i>Lave-vaisselle avec cycle de vidange (*option)</i>	7
4.8	EXTINCTION DU LAVE-VAISSELLE	8
4.9	RÉGÉNÉRATION DES RÉSINES (*OPTION)	8
4.10	VISUALISATION DES INFORMATION	8
4.11	Liste des messages visualisables	8
4.12	FIN DE SERVICE	8
CHAP 5	ENTRETIEN	9
5.1	CONSIGNES GÉNÉRALES	9
5.2	NETTOYAGE	9
5.3	NETTOYAGE DU GROUPE DE FILTRATION	9
5.4	NETTOYAGE DES BRAS	9
CHAP 6	AUTODIAGNOSTIC	10
CHAP 7	REGLAGES ET CONFIGURATION DES PARAMETRES	11
7.1	CONFIGURATION DE LA DURETÉ DE L'EAU AVEC ADOUCISSEUR INTÉGRÉ	12
CHAP 8	ÉLIMINATION	12
CHAP 9	ENVIRONNEMENT	12

Le constructeur se réserve selon les termes de la loi la propriété du document présent avec interdiction de reproduction et de divulgation par n'importe quel moyen sans préalable autorisation écrite de sa part.

Le constructeur se réserve le droit d'apporter des modifications sans préavis afin de réaliser des améliorations qu'il aura jugé nécessaires.



Les avertissements contenus dans ce manuel fournissent des indications importantes concernant la sécurité pendant l'installation, l'utilisation et l'entretien de l'appareil.
Le non-respect des indications fournies dans la documentation ci-jointe peut compromettre la sécurité de l'appareil et annuler immédiatement et de plein droit la garantie.

Avertissements :

Conserver avec soin toute la documentation à proximité de l'appareil ; la remettre aux techniciens et aux opérateurs préposés à l'utilisation de l'appareil et la conserver en parfait état en la rangeant dans un endroit sûr ; prévoir des copies s'il est nécessaire de la consulter fréquemment.

L'opérateur doit avoir lu, compris et appris le contenu de ce manuel avant d'effectuer une opération quelconque sur l'appareil.

Ce lave-vaisselle est un équipement professionnel destiné à nettoyer les vaisselles à usage collectif. En conséquence, l'installation, l'utilisation et l'entretien de l'appareil doivent être effectués conformément aux instructions du constructeur et par un personnel formé et qualifié.

Garantie :

Toute responsabilité contractuelle et extracontractuelle et toute garantie du constructeur sont exclues pour les dommages aux choses et aux personnes causés par le non-respect des instructions fournies ou par une utilisation anormale, impropre et/ou inhabituelle de l'appareil

Le non-respect des indications contenues dans la documentation ci-jointe peut compromettre la sécurité de l'appareil et annuler immédiatement et de plein droit la garantie

La garantie ne joue pas dans le cas d'opérations de montage et de réparations effectuées par des techniciens non autorisés ou d'utilisation de pièces autres que des pièces d'origine.

Stockage :

Transport et emmagasinage : entre -10 °C et 55 °C avec pic jusqu'à 70 °C (pour 24 heures maximum)

Chap 2 INSTALLATION

L'installation correcte de l'appareil est une condition sine qua non pour son bon fonctionnement. Certaines indications nécessaires à l'installation de l'appareil figurent sur la plaque signalétique placée sur le côté droit de l'appareil, ainsi que sur la page de couverture de ce manuel.



L'installation doit être effectuée exclusivement par des techniciens qualifiés et autorisés.

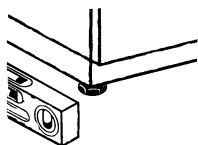
2.1 Déballage

Vérifier l'état de l'emballage et noter les éventuels endommagements décelés sur le bon de livraison. Après avoir déballé l'appareil, s'assurer de son parfait état. En cas d'endommagement de l'appareil, aviser immédiatement le revendeur par télécopie ou LRAR ainsi que le transporteur. Si les dommages sont si importants qu'ils auraient pour effet de compromettre la sécurité de l'appareil, ne pas installer ni utiliser celui-ci jusqu'à l'intervention d'un technicien qualifié.

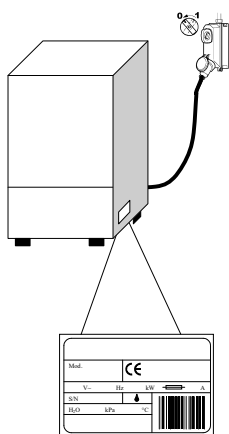


Le matériel d'emballage (sachets en plastique, polystyrène expansé, clous, etc. ...) ne doit pas être laissé à la portée des enfants et animaux domestiques car il peut représenter une source potentielle de danger.


2.2 Emplacement



- Vérifier dans la zone d'installation de l'appareil l'absence de tous objets et matériels pouvant être endommagés par la vapeur d'eau sortant du lave-vaisselle pendant son fonctionnement ou, en présence de ceux-ci, qu'ils soient suffisamment protégés.
- Avant de positionner l'appareil, le local d'installation doit disposer d'une alimentation générale de l'appareil par le réseau électrique, d'une arrivée d'eau froide et d'une évacuation des eaux usées.
- Le sol ou la niche recevant l'appareil doit être dimensionné en tenant compte du poids total du lave-vaisselle.
- Pour garantir la stabilité de l'appareil, il faut l'installer sur ses quatre pieds et procéder à sa mise de niveau.
- Ce lave-vaisselle est adapté exclusivement à une implantation de type fixe. D'autres solutions d'installation devront être préalablement convenues avec le constructeur et approuvées par celui-ci.
- Enlever le film protecteur de la carrosserie de l'appareil avant son utilisation.

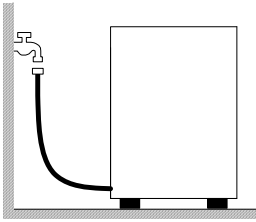


2.3 Branchement électrique

- Il est obligatoire d'installer un interrupteur général de type omnipolaire, qui coupe tous les conducteurs actifs y compris le neutre, avec une distance entre les contacts d'ouverture d'au moins 3 cm et avec une protection magnéto-thermique ou combinée avec fusibles, dont le dimensionnement et le tarage devront être adaptés à la puissance indiquée sur la plaque signalétique de l'appareil.
- L'interrupteur général doit être installé sur le réseau électrique près de l'appareil et asservi exclusivement à l'usage d'un seul appareil.
- La tension et la fréquence du réseau électrique doivent correspondre à celles de la plaque signalétique.
- L'appareil doit disposer d'une mise à la terre efficace conformément à la norme NFC 15-100.
- Le câble d'alimentation, exclusivement de type H07RN-F, ne doit pas être tendu ni écrasé pendant le fonctionnement normal de l'appareil ou son entretien courant.
- L'appareil doit être en outre intégré dans un système équipotentiel dont la liaison est réalisée par une vis portant le symbole. 
- Le conducteur équipotentiel doit avoir une section de 10 mm².
- Respecter les polarités indiquées sur le schéma électrique.
- Pour d'autres informations complémentaires, consulter le schéma électrique.



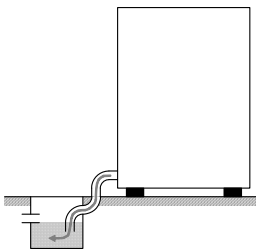
Il est interdit d'utiliser des prises multiples, des adaptateurs, des câbles de type et de section inadéquats ou des rallonges non conformes à la réglementation des installations électriques.



2.4 Branchement à l'arrivée d'eau

L'appareil doit être relié à l'arrivée d'eau au moyen d'un tuyau flexible. Une vanne d'arrêt doit être installée entre le réseau d'eau et l'électrovalve de l'appareil. La vanne d'arrêt doit se trouver à proximité de l'appareil.

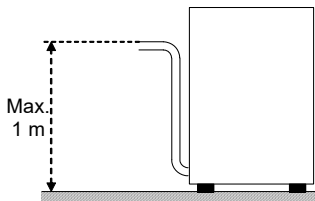
- L'alimentation en eau, la température et la pression **doivent correspondre** avec les données de la plaque signalétique de l'appareil.
- Si la dureté de l'eau est supérieure à 14 F (8 dH), il est conseillé l'installation d'un adoucisseur interne (disponible sur demande). Si la dureté de l'eau est supérieure à 35 (19,5 dH), il convient d'installer un adoucisseur extérieur en amont de l'électrovalve.
- Dans le cas de concentrations très élevées de minéraux résidus dans l'eau à conductivité élevée, il est conseillé d'installer un système de déminéralisation.



Évacuation libre

2.5 Branchement à l'évacuation des eaux usées

- L'évacuation des eaux usées doit être constituée d'un regard siphonné libre de dimensions adaptées au débit du tuyau de vidange fourni. Le tuyau doit arriver au regard sans être tiré, plié, écrasé, pressé ou forcé par quoi ou qui que ce soit.
- La vidange de la cuve se faisant par gravité, l'évacuation doit donc se situer à un niveau plus bas de la base de l'appareil.
- Dans le cas contraire, il est possible d'utiliser la version avec pompe de vidange (disponible sur demande).
- Dans ce cas, l'évacuation doit se situer à une hauteur maximale de 1 mètre.
- Il faut toujours vérifier que l'évacuation ne soit pas obstruée et/ou entartrée.
- Toute autre solution pour l'évacuation doit être accordée avec le constructeur et approuvée par celui-ci.



Avec pompe de vidange
(disponible sur demande)

2.6 Liquide de rinçage et détergent

- Le dosage du liquide de rinçage et du détergent est assuré par le doseur installé de série sur l'appareil (si le modèle en comporte un).
- Le dosage est déterminé en fonction de la dureté de l'eau par le technicien installateur qui se chargera également du réglage des doseurs eux-mêmes.
- Avant d'effectuer le réglage, il faut toujours remplir les tuyaux d'alimentation des doseurs avec le produit correspondant.
- Le réglage se fait par des vis de réglage prévues à cet effet ou directement à partir du bandeau de commande (si prévu).
- Le niveau des liquides dans le réservoir doit être suffisant pour permettre l'aspiration ; il ne doit jamais se vider complètement ni être rempli avec des produits corrosifs ou impurs.

Ne JAMAIS utiliser de détergents à base de CHLORE ou d'HYPOCHLORITE.

Noter que l'installation d'un doseur automatique du détergent est toujours recommandée.

Chap 3 RISQUES ET AVERTISSEMENTS IMPORTANTS

- Cet appareil est destiné exclusivement à l'usage pour lequel il a été conçu. Tout autre usage doit être considéré comme impropre et donc dangereux.
- Les professionnels qualifiés qui effectuent l'installation doivent instruire convenablement l'utilisateur sur le fonctionnement de l'appareil et les éventuelles mesures de sécurité à respecter, à travers également des démonstrations pratiques.
- Toute intervention sur l'appareil, même en cas de panne, devra être effectuée uniquement par le constructeur ou par un centre d'assistance agréé ou par un professionnel qualifié, en utilisant exclusivement des pièces de rechange d'origine.
- Toujours débrancher ou isoler l'appareil du réseau électrique et du réseau d'eau avant d'effectuer toute opération d'entretien, de réparation et de nettoyage.
- Le lave-vaisselle **NE** doit **PAS** être utilisé par du personnel non qualifié.
- Le lave-vaisselle **NE** doit **PAS** rester sous tension lorsqu'il n'est pas utilisé.
- **NE JAMAIS** ouvrir brusquement la porte du lave-vaisselle tant que le cycle n'est pas terminé.
- **NE JAMAIS** utiliser le lave-vaisselle sans les protections prévues par le constructeur.
- **NE JAMAIS** utiliser le lave-vaisselle pour laver des objets de type, forme, dimension ou matière qui ne sont pas adaptés au lavage en machine ou ne sont pas parfaitement en bon état.
- **NE JAMAIS** utiliser le lave-vaisselle ou ses parties constituantes comme échelle ou comme appui pour des personnes, choses ou animaux.
- **NE JAMAIS** surcharger la porte ouverte du lave-vaisselle à chargement frontal, car celle-ci est dimensionnée pour ne supporter que le poids du panier chargé de vaisselle.
- **NE JAMAIS** plonger les mains nues dans les solutions de lavage.
- **NE JAMAIS** renverser le lave-vaisselle après son installation.
- En cas de mauvais fonctionnement ou de pertes de liquides, couper immédiatement l'alimentation électrique de l'appareil ainsi que l'arrivée d'eau.
- Ne pas positionner le lave-vaisselle près de sources de chaleur supérieures à 50 °C.
- **NE JAMAIS** laisser le lave-vaisselle exposé à l'action des agents atmosphériques (pluie, soleil, etc.).
- Le lave-vaisselle ne doit pas être installé à l'extérieur sans protections appropriées.
- Ne jamais démarrer un programme de lavage sans le trop-plein (si prévu).
- Ne jamais approcher d'objets magnétiques du lave-vaisselle.
- Ne pas utiliser la partie supérieure du lave-vaisselle comme plan d'appui.
- Le technicien installateur doit obligatoirement vérifier l'efficacité de la mise à la terre.
- Après l'essai, le technicien installateur doit obligatoirement remettre une déclaration écrite de l'exécution correcte de l'installation et de l'essai de l'appareil conformément à la réglementation et aux règles de l'art en vigueur.
- **NE PAS** modifier la position ni altérer les composants de la machine afin de ne pas compromettre la sécurité de cette dernière.
- Niveau de pression acoustique pondéré $L_{pA} \leq 70$ dB(A).

3.1 Conditions normales d'utilisation

Température ambiante : 40 °Cmax / 4 °Cmin (moyenne 30 °C)
Altitude : jusqu'à 2000 mètres
Humidité relative : Max 30% à 40 °C / max 90% à 20 °C

Chap 4 UTILISATION DE LA MACHINE

4.1 Légende et symboles

Faire référence à la **Fig.1** :

1	BOUTON ET LED ON/OFF	4b	AFFICHEUR TEMPÉRATURE DE RINÇAGE
2	BOUTON SÉLECTION PROGRAMMES	5	LED DE CYCLE
3	BOUTON START	6	LED D'ÉTAT
4	BOUTON DÉPART AUTOMATIQUE (capot uniquement)	7	LED DÉPART AUTOMATIQUE (capot uniquement)
4a	AFFICHEUR TEMPÉRATURE DE LAVAGE		



Lavage court



Cycle de vidange



Lavage moyen



Lavage continu



Lavage long

4.2 Allumage

Faire référence à la **Fig.2**

- Enclencher l'interrupteur général et ouvrir le robinet d'arrivée d'eau.
- Vérifier la présence du trop-plein.
- Appuyer sur le bouton **ON/OFF (1)**.
- La **LED D'ÉTAT (6)** clignote de couleur rouge jusqu'à ce que le niveau de remplissage cuve soit atteint.
- Une fois le niveau de remplissage cuve atteint, la **LED D'ÉTAT(6)** s'éteint.
- Le point vert, positionné dans l'angle des **AFFICHEURS TEMPÉRATURE (4a - 4b)**, indique le chauffage de l'eau de lavage et de rinçage.
- La **LED D'ÉTAT (6)** reste allumée (lumière fixe) de couleur verte lorsque la température de lavage est atteinte.
- Les conditions optimales pour commencer le lavage sont maintenant remplies.

4.3 Préparation du panier

Faire référence à la **Fig.3**. Pour un fonctionnement correct du lave-vaisselle, suivre les règles suivantes :

- Utiliser un panier approprié. Le remplir sans le surcharger et sans superposer la vaisselle.
- Toujours effectuer l'élimination préliminaire des déchets secs ou solides (dérochage).
- Placer les récipients vides à l'envers.
- Les assiettes et autres pièces de vaisselle similaires (ex. : plats de service) doivent être disposées dans le panier en position inclinée, avec le dessus ou l'endroit orienté vers le haut.
- Disposer les couverts dans le panier à couverts mixtes avec le manche orienté vers le bas.
- Ne pas mélanger les couverts en argent et ceux en inox dans le même panier à couverts pour éviter de ternir l'argenterie et de probablement corroder l'acier.
- Laver la vaisselle aussitôt après son utilisation pour éviter que des salissures ou restes d'aliments restent attachés et durcissent.
- Utiliser uniquement de la vaisselle en parfait état et garantie pour le lavage en machine.

4.4 Sélection et démarrage du cycle

4.4.1 lave-vaisselle encastrable (sous plan de travail)

- Sélectionner le cycle de lavage adapté à la vaisselle à laver en appuyant plusieurs fois sur le bouton **SÉLECTION PROGRAMMES (2)** ; la LED de cycle s'allume indiquant le cycle choisi (**Fig.4**).
- Pour démarrer le programme, appuyer sur le bouton **START (3)** ; la **LED DE CYCLE (5)** correspondant au lavage choisi commence alors à clignoter.
- Cette même LED reste allumée (lumière fixe) à la fin du cycle.
- Pour un séchage rapide de la vaisselle, enlever immédiatement le panier à la fin du cycle.
- Pour arrêter le cycle de lavage sans en attendre la fin, appuyer sur la touche **START (3)**.

4.4.2 Lave-vaisselle à capot

- Sélectionner le cycle de lavage adapté à la vaisselle à laver en appuyant plusieurs fois sur le bouton **SÉLECTION PROGRAMMES (2)** ; la LED de cycle s'allume indiquant le cycle choisi (**Fig.4**).
- Appuyer sur le bouton **DÉPART AUTOMATIQUE (4)** ; la **LED DÉPART AUTOMATIQUE (7)** s'allume alors.
Utilisez le bouton **START (3)** se il n'y a pas de bouton 4.
- Abaisser le capot ; le cycle démarre automatiquement et la **LED DE CYCLE (5)** correspondant au lavage choisi commence à clignoter.
- Cette même LED reste allumée (lumière fixe) à la fin du cycle.
- Pour un séchage rapide de la vaisselle, enlever immédiatement le panier à la fin du cycle.
- Pour arrêter le cycle de lavage sans en attendre la fin, appuyer sur le bouton **START (3)**.

4.5 Lavage continu (*option)

- C'est un cycle prolongé dont le temps est variable suivant le modèle de lave-vaisselle.
- La durée du cycle peut être variée à souhait par la pression du bouton **START (3)**, pendant le lavage, qui interrompt le lavage et démarre la phase de rinçage.

4.6 Dépose du filtre intégral

- Disposer les bras d'aspersion (de lavage et rinçage) orthogonalement par rapport au bord de la porte (**Fig.7**).
- Soulever chaque demi-filtre en les saisissant par la poignée.

4.7 Vidange de l'appareil

4.7.1 Lave-vaisselle sans pompe de vidange

- Éteindre l'appareil.
- Déposer le filtre intégral si monté (**Fig.7A**).
- Retirer le trop-plein en le tirant vers le haut (**Fig.8 B**), puis attendre la vidange complète de la cuve.
- Si nécessaire, retirer le filtre de la cuve et le nettoyer (**Fig.8 C**).

4.7.2 Lave-vaisselle avec cycle de vidange (*option)

- Sélectionner le cycle de vidange à l'aide du bouton **SÉLECTION PROGRAMMES (2)**.
- Déposer le filtre intégral si monté (**Fig.7 A**).
- Extraire le trop-plein en le tirant vers le haut (**Fig.9**).
- Refermer la porte / le capot.
- Appuyer sur le bouton **START (3)** pour démarrer le cycle.
- Le lave-vaisselle exécute un cycle de vidange avec autonettoyage (*option) ; il s'éteint au terme de celui-ci.
- Si nécessaire, retirer le filtre de la cuve et le nettoyer (**Fig.8 C**).

4.8 Extinction du lave-vaisselle

- Appuyer sur le bouton **ON/OFF (1)**. Sur l'**AFFICHEUR (4)** restent affichés les segments centraux indiquant la présence de tension.

4.9 Régénération des résines (*option)

En cas d'apparition de la signalisation **SA Lt** sur les lave-vaisselle muni d'un adoucisseur intégré, il est nécessaire d'ajouter le sel dans le bac à sel. Pour cela, procéder de la manière suivante :

- Retirer le panier du lave-vaisselle.
- Déposer le filtre intégral (**Fig.7**).
- Dévisser le bouchon du bac à sel (**Fig.11**).
- Verser du sel de cuisine en grains (700 g environ), en utilisant l'entonnoir fourni. (si cette opération est exécutée pour la première, il faut avant tout remplir d'eau le bac à sel)
- Refermer énergiquement le bac à sel.
- Rincer manuellement la zone autour du bouchon de bac à sel et exécuter un cycle d'autonettoyage pour éviter des problèmes de corrosion possibles.
- La signalisation '**SA Lt**' disparaît après quelques minutes.

La signalisation **RE G** sur l'afficheur indique que le lave-vaisselle exécute un cycle de régénération des résines nécessaire pour rétablir le fonctionnement correct de l'adoucisseur. Noter que les cycles en cours d'exécution pourraient durer plus que d'ordinaire aussi longtemps que la signalisation restera affichée.

N.B. Ne pas éteindre le lave-vaisselle si un cycle de régénération est en cours

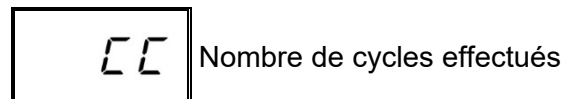
4.10 Visualisation des information

La mention "**CC**", suivie du nombre de cycles de lavage effectués jusqu'à ce moment par le lave-vaisselle, s'affiche en appuyant cinq secondes sur le bouton **SÉLECTION PROGRAMMES (2)**, le lave-vaisselle étant éteint.

4.11 Liste des messages visualisables



Porte ouverte



Nombre de cycles effectués

4.12 Fin de service

- En fin de journée, toujours vidanger le lave-vaisselle comme décrit au paragraphe "Vidange de l'appareil".
- Couper l'alimentation électrique du lave-vaisselle au moyen de l'interrupteur général et fermer le robinet extérieur d'arrivée d'eau.
- Effectuer l'entretien courant et nettoyer le lave-vaisselle comme décrit au paragraphe "Entretien".
- Si possible, laisser la porte entrouverte pour éviter la formation de mauvaises odeurs à l'intérieur du lave-vaisselle.

Chap 5 ENTRETIEN

5.1 Consignes générales



Avant d'effectuer toute opération d'entretien, vidanger complètement l'eau, couper le courant et fermer le robinet d'arrivée d'eau.

Ne pas utiliser de jets d'eau sous pression car cela pourrait endommager le système électrique.

Laver les surfaces extérieures seulement une fois refroidies en utilisant des produits formulés spécialement pour l'entretien de l'acier.

Dans le cas de formation possible de glace, vidanger l'eau du ballon et de la pompe de lavage.

5.2 Nettoyage

Pour garantir l'efficacité de fonctionnement du lave-vaisselle, il faut effectuer périodiquement les opérations d'entretien indiquées ci-après. Effectuer également une désinfection périodique en utilisant des produits adaptés et non corrosifs en vente dans le commerce.

5.3 Nettoyage du groupe de filtration

Effectuer cette opération en fin de journée ou en présence de résidus de saletés sur les filtres.

1. Retirer et laver les paniers.
2. Vidanger la cuve en suivant les instructions reportées au paragraphe "Vidange de l'appareil".
3. Déposer et nettoyer soigneusement tous les filtres du lave-vaisselle.
4. N'utiliser ni produits ni objets abrasifs pour nettoyer la cuve en acier.
5. Bien replacer toutes les pièces à la fin de ces opérations.

5.4 Nettoyage des bras

Les bras d'aspersion se démontent facilement pour permettre le nettoyage périodique des gicleurs et prévenir toutes obstructions et/ou tous dépôts éventuels.

Procéder comme suit (**Fig.10**) :

- Dévisser la bague **R** et retirer les bras.
- Laver chaque pièce sous un jet d'eau courante et nettoyer soigneusement les gicleurs, en utilisant éventuellement un cure-dent ou un petit objet pointu.
- Nettoyer les axes de rotation des bras à l'intérieur de l'appareil ainsi que la zone de sortie de l'eau de lavage et de rinçage.
- Remonter les bras, puis en contrôler la libre rotation après les avoir repositionnés.

Chap 6 AUTODIAGNOSTIC

L'appareil est équipé d'un système d'autodiagnostic en mesure de relever et de signaler différentes anomalies de fonctionnement.

Anomalie		Description et remèdes possibles
	E-r01	Rinçage non effectué. Le rinçage de la vaisselle n'a pas été correctement effectué. Vérifier le nettoyage correct des gicleurs de rinçage.
	E-r02	Évacuation des eaux usées manquée. La vidange n'a pas eu lieu ou se fait de manière anormale. Vérifier que le tuyau de vidange ne soit pas plié ou écrasé et que le siphon ou les filtres ne soient pas bouchés. Sur les lave-vaisselle muni d'un trop-plein, le déposer avant de démarrer le cycle de vidange.
	E-r03	Anomalie rétablissement de la température de rinçage. Pendant le cycle de lavage, le rétablissement de la température du ballon ne s'est pas produit dans les limites de temps préétablies. Éteindre et rallumer l'appareil, puis effectuer un nouveau cycle.
SAFE	E-r04	Anomalie remplissage de la cuve. Contrôler que les raccords d'eau soient réalisés de manière correcte et que le robinet d'arrivée d'eau soit bien ouvert. Si cela est prévu, contrôler la présence du trop-plein. Éteindre et rallumer l'appareil, puis effectuer un nouveau remplissage.
	E-r05	Anomalie thermomètre de la cuve. (Sonde ouverte) L'appareil ne relève pas la valeur de température de la cuve. Éteindre et rallumer l'appareil.
	E-r06	Anomalie thermomètre de la cuve. (Sonde en court-circuit) L'appareil ne relève pas la valeur de température de la cuve. Éteindre et rallumer l'appareil.
	E-r07	Anomalie thermomètre du ballon. (Sonde ouverte) L'appareil ne relève pas la valeur de température du ballon. Éteindre et rallumer l'appareil.
	E-r08	Anomalie thermomètre du ballon. (Sonde en court-circuit) L'appareil ne relève pas la valeur de température du ballon. Éteindre et rallumer l'appareil.
	E-r09	Time-out remplissage ballon : remplissage du ballon manqué. Il est impossible d'effectuer le rinçage. Contrôler que le robinet d'arrivée d'eau soit ouvert. Éteindre et rallumer l'appareil, puis effectuer un nouveau cycle.
	E-r22	Anomalie rétablissement de la température de la cuve : Pendant le cycle de lavage, le rétablissement de la température du ballon ne s'est pas produit dans les limites de temps préétablies. Éteindre et rallumer l'appareil, puis effectuer un nouveau cycle.
SAFE	E-r5F	Sécurité électromécanique : les thermostats de sécurité du ballon ou de la cuve sont intervenus, ou bien le pressostat de sécurité de la cuve est intervenu.
SAFE	E-r5L	Sécurité niveau: Le niveau d'eau dans la cuve n'est pas correct.

ATTENTION ! L'extinction, puis le rallumage de l'appareil immédiatement après, "réinitialise" la signalisation. Si après avoir suivi les indications fournies, le problème se manifeste à nouveau, faire appel au service d'assistance technique autorisé.

Chap 7 REGLAGES ET CONFIGURATION DES PARAMETRES



La configuration des paramètres ci-après doit être confiée exclusivement à un professionnel qualifié.

Les paramètres indiqués ci-dessous peuvent être configurés, soit pendant l'installation, soit après coup, en accédant au menu configuration des paramètres de la manière suivante :

- Machine en veille (stand-by) avec la porte ouverte.
- Appuyer simultanément sur les boutons 2 et 3 (sélection cycle et **START**) pendant 5 secondes et introduire la clé **CH 12** (boutons 2 et 3 pour modifier le paramètre et bouton 1 pour confirmer).
- Après quoi, appuyer plusieurs fois de suite sur le bouton 1 (**ON/OFF**) pour dérouler les options suivantes en les activant et/ou modifiant avec les boutons 2 et 3 (le paramètre ainsi modifié reste mémorisé sans devoir le confirmer). La liste des paramètres peut varier selon le type de lave-vaisselle.

	Language	Sélection de la langue
b	Boiler Temperature	Réglage de la température de la chaudière pour les programmes. Les versions avec chaudière atmosphérique (pompe du liquide de rinçage) prévoient une différente configuration des paramètres pour chaque programme (b1 – b2 – b3)
t	Tank Temperature	Réglage de la température de la cuve pour les programmes. Les versions avec pompe de rinçage prévoient des paramétrages différents pour chaque programme (t1 – t2 – t3)
tH	Thermo - Stop	Activation de la fonction Thermostop garantissant une température de rinçage correcte.
ES	Energy Saving	Activation de la fonction Energy Saving garantissant une économie d'énergie lorsque le lave-vaisselle est allumé sans être utilisé.
dn	Detergent Pump	Actionnement manuel du doseur du détergent
bn	Rinse Aid Pump	Actionnement manuel du doseur du liquide de rinçage
rn	Manual Rinse	Actionnement manuel de la pompe à liquide de rinçage
dt	Dosage Detergent	Temps de dosage du détergent
bl	Dosage Rinse Aid	Temps de dosage du liquide de rinçage
dH	Water Hardness	Configuration de la dureté de l'eau en entrée (lave-vaisselle avec adoucisseur) : saisir les valeurs en se reportant au tableau ci-dessous
sr	Set Number Service Cycles	Configuration et activation du compteur de cycles qui active la signalisation entretien
AA	Autostart Autoenabling	Auto-validation du démarrage automatique
EE	Cycle Counter	Compteur de cycles

Après avoir configuré les paramètres désirés, appuyer sur le bouton 1 et garder le doigt dessus jusqu'à l'affichage des pointillés (lave-vaisselle sous tension), pour les mémoriser et quitter la séquence.

7.1 Configuration de la dureté de l'eau avec adoucisseur intégré

Configurer le degré de dureté de l'eau d'alimentation **dH** dans le menu configuration des paramètres selon les indications du tableau suivant :

Dureté mesurée		dH
°fr	dGH	n°
0 ÷ 20	0 ÷ 11	1
21 ÷ 25	12 ÷ 14	2
26 ÷ 30	15 ÷ 17	3
31 ÷ 35	17 ÷ 20	4
36 ÷ 40	20 ÷ 22	5
41 ÷ 45	23 ÷ 25	6
46 ÷ 50	26 ÷ 28	7
51 ÷ 55	29 ÷ 31	8
56 ÷ 60	31 ÷ 34	9

Chap 8 ÉLIMINATION

Aucun composant de nos appareils n'est soumis à une procédure d'élimination particulière.



(Applicable dans les pays membres de l'Union Européenne et dans tous ceux adoptant le tri sélectif)

Ce symbole sur le produit ou sa documentation indique qu'il ne doit pas être éliminé en fin de vie avec les autres déchets ménagers. L'élimination incontrôlée des déchets pouvant porter préjudice à la santé humaine et porter atteinte à l'environnement, veuillez séparer ce produit des autres types de déchets et le recycler de façon responsable. Vous Favoriserez ainsi la réutilisation durable des ressources matérielles.

Les particuliers sont invités à contacter le distributeur leur ayant vendu le produit ou à se renseigner auprès de leur mairie pour savoir où et comment ils peuvent se débarrasser de ce produit afin qu'il soit recyclé en respectant l'environnement.

Les entreprises sont invitées à contacter leurs fournisseurs et à consulter les conditions de leur contrat d'achat.

Ce produit ne doit pas être éliminé avec les autres déchets commerciaux.

Chap 9 ENVIRONNEMENT

UTILISATION RESPECTUEUSE DE L'ENVIRONNEMENT

Une utilisation responsable du lave-vaisselle peut contribuer à améliorer l'impact sur l'environnement, en prenant quotidiennement de bonnes habitudes :

Ne laver que des paniers pleins.

Éteindre le lave-vaisselle lorsque celui-ci n'est pas utilisé.

Garder la porte du lave-vaisselle fermée lorsque celui-ci se trouve en mode veille (stand by)

Utiliser des programmes adaptés au degré de saleté de la vaisselle.

Alimenter le lave-vaisselle en eau chaude, si réchauffée au gaz.

S'assurer que les eaux usées du lave-vaisselle finissent dans un réseau d'égout approprié.

Ne pas dépasser les doses de détergents conseillées.

Dans le souci de toujours offrir un produit mettant en oeuvre une technologie avancée et une fiabilité durable, le constructeur se réserve le droit d'apporter sur ce lave-vaisselle toutes les modifications électriques, techniques et esthétiques et/ou de remplacer des pièces ou parties qu'il jugera nécessaire sans préavis.

ISTRUZIONI ORIGINALI

INDICE

CAP 1	PREFAZIONE	2
CAP 2	INSTALLAZIONE	2
2.1	DISIMBALLO	2
2.2	POSIZIONAMENTO	3
2.3	COLLEGAMENTO ELETTRICO	3
2.4	COLLEGAMENTO IDRAULICO	4
2.5	COLLEGAMENTO ALLA LINEA DI SCARICO	4
2.6	BRILLANTANTE E DETERGENTE	4
CAP 3	RISCHI ED AVVERTENZE IMPORTANTI	5
3.1	NORMALI CONDIZIONI DI SERVIZIO	5
CAP 4	USO DELLA MACCHINA	6
4.1	LEGENDA E SIMBOLOGIA.....	6
4.2	ACCENSIONE	6
4.3	PREPARAZIONE CESTO.....	6
4.4	SELEZIONE E AVVIO CICLO	7
	4.4.1 <i>lavastoviglie sottobanco</i>	7
	4.4.2 <i>Lavastoviglie a capot</i>	7
4.5	LAVAGGIO CONTINUO (*OPTIONAL).....	7
4.6	RIMOZIONE FILTRO INTEGRALE	7
4.7	SVUOTAMENTO MACCHINA.....	7
	4.7.1 <i>Macchine senza pompa scarico</i>	7
	4.7.2 <i>Macchine con ciclo di scarico (*optional)</i>	7
4.8	SPEGNIMENTO DELLA MACCHINA	8
4.9	RIGENERAZIONE RESINE (*OPTIONAL)	8
4.10	VISUALIZZAZIONE INFORMAZIONI.....	8
4.11	ELENCO MESSAGGI VISUALIZZABILI	8
4.12	FINE SERVIZIO.....	8
CAP 5	MANUTENZIONE	9
5.1	REGOLE GENERALI	9
5.2	PULIZIA.....	9
5.3	PULIZIA GRUPPO FILTRANTE	9
5.4	PULIZIA BRACCI.....	9
CAP 6	AUTODIAGNOSTICA	10
CAP 7	REGOLAZIONI ED IMPOSTAZIONI	11
7.1	IMPOSTAZIONE DUREZZA ADDOLCITORE INTEGRATO	12
CAP 8	SMALTIMENTO	12
CAP 9	AMBIENTE	12

Il costruttore si riserva in termini di legge la proprietà del presente documento con divieto di riprodurlo e divulgarlo con qualsiasi mezzo senza sua previa autorizzazione scritta.

Il costruttore si riserva il diritto di apportare modifiche senza preavviso per realizzare i miglioramenti che ritiene necessari.



Le avvertenze contenute nel presente manuale forniscono importanti indicazioni riguardanti la sicurezza nelle varie fasi di installazione, uso e manutenzione. Il mancato rispetto delle indicazioni fornite nella documentazione allegata può compromettere la sicurezza dell'apparecchio e far decadere immediatamente la garanzia.

Avvertenze:

Conservare tutta la documentazione con cura nei pressi dell'apparecchio; consegnarla ai tecnici ed agli operatori addetti all'utilizzo e conservarlo integro nel tempo, attraverso una collocazione sicura, con eventuali copie per la consultazione frequente

L'operatore ha l'obbligo di leggere, capire ed apprendere il presente manuale prima di avviare qualsiasi operazione sulla macchina.

L'apparecchio è destinato esclusivamente al lavaggio professionale di stoviglie per collettività quindi l'installazione, l'uso e la manutenzione, rimangono in ogni caso destinati a personale addestrato che osservi le istruzioni del costruttore.

Garanzia:

Il costruttore declina ogni responsabilità e garanzia per danni a cose o persone derivanti dalla inosservanza delle istruzioni date o da un uso improprio della macchina

Il mancato rispetto delle indicazioni fornite nella documentazione allegata può compromettere la sicurezza dell'apparecchio e far decadere immediatamente la garanzia

Le installazioni e le riparazioni effettuate da tecnici non autorizzati o l'utilizzo di ricambi non originali, fanno decadere immediatamente la garanzia.

Stoccaggio :

Trasporto e deposito : tra -10°C e 55°C con picco fino a 70°C (per max 24 ore)

Cap 2 INSTALLAZIONE

Una corretta installazione è fondamentale per il buon funzionamento della macchina. Alcuni dei dati necessari per l'installazione della macchina sono rilevabili sulla targhetta caratteristiche posta sul fianco destro della macchina stessa ed in copia sulla copertina di questo manuale.



L'installazione deve essere eseguita esclusivamente da tecnici qualificati ed autorizzati.

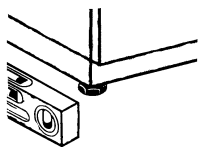
2.1 Disimballo

Verificare l'integrità dell'imballo, scrivendo sulla bolla di consegna eventuali danni riscontrati. Dopo aver eliminato l'imballo assicurarsi che l'apparecchio sia integro; se la macchina è danneggiata, avvertire subito il rivenditore via fax o raccomandata R.R. ed il trasportatore che ne ha effettuato il trasporto. Se i danni sono tali da pregiudicare la sicurezza della macchina, non installare e/o utilizzare fino all'intervento di un tecnico qualificato.

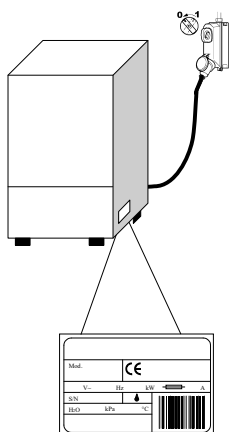


Gli elementi dell'imballo (sacchetti di plastica, polistirolo espanso, chiodi, etc. ...) non devono essere lasciati alla portata dei bambini ed animali domestici in quanto possibile fonte di pericolo.

2.2 Posizionamento




- Verificare che nella zona di installazione non ci siano, o siano sufficientemente protetti, oggetti e materiali che possono essere danneggiati da vapore acqueo che può uscire dalla macchina durante il funzionamento.
- Prima di collocare la lavastoviglie, predisporre nel locale gli impianti, di alimentazione elettrica, approvvigionamento idrico e di scarico
- La pavimentazione o l'incasso dovrà essere dimensionata tenendo conto del peso complessivo della lavastoviglie
- Per garantire la stabilità, installare e livellare la macchina sui suoi quattro piedini.
- Questo apparecchio è adatto solo ad un allacciamento fisso, diverse soluzioni di installazione devono essere concordate ed approvate dal costruttore.
- Rimuovere la pellicola protettiva dalla carrozzeria prima di iniziare l'utilizzo della lavastoviglie.



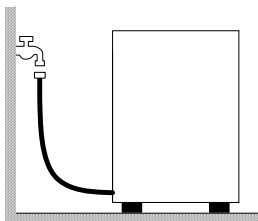
2.3 Collegamento elettrico

- Deve essere presente un interruttore generale di tipo onnipolare, che interrompa tutti i contatti incluso il neutro, con distanza tra i contatti aperti di almeno 3 mm e con scatto magnetotermico di sicurezza od accoppiato a dei fusibili, da dimensionare o tarare in conformità alla potenza indicata sulla targhetta caratteristiche della macchina.
- L'interruttore generale deve trovarsi sulla linea elettrica vicino all'installazione e deve servire esclusivamente un'apparecchiatura alla volta.
- Tensione e frequenza della rete elettrica devono coincidere con quelli della targhetta caratteristiche.
- Deve essere presente un efficace impianto di messa a terra, secondo le vigenti norme di prevenzione, per la sicurezza dell'operatore e dell'apparecchiatura

- Il cavo di alimentazione, esclusivamente di tipo H07RN-F, non deve essere messo in trazione o schiacciato durante il normale funzionamento o la manutenzione ordinaria.
- L'apparecchiatura deve inoltre essere inclusa in un sistema equipotenziale, il cui collegamento viene effettuato mediante una vite contrassegnata dal simbolo. 
- Il conduttore equipotenziale deve avere una sezione di 10 mm².
- Rispettare le polarità indicate nello schema elettrico.
- Per ulteriori informazioni consultare lo schema elettrico.



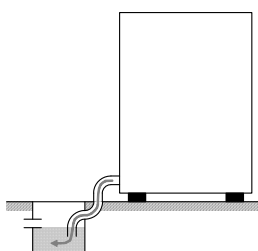
È vietato l'uso di prese multiple, adattatori, cavi di tipo e di sezione non adeguata o con giunzioni di prolunga non conformi alle norme vigenti in materia di impiantistica.



2.4 Collegamento idraulico

L'apparecchio va collegato alla rete idrica mediante un tubo flessibile. Tra la rete idrica e l'elettrovalvola dell'apparecchio deve essere presente una valvola di intercettazione. La valvola d'intercettazione deve trovarsi vicino all'apparecchiatura.

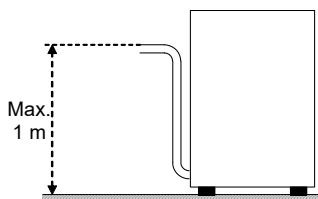
- L'alimentazione d'acqua, temperatura e pressione, **devono essere compatibili** con quanto indicato in targhetta caratteristiche tecniche della macchina.
- Se la durezza dell'acqua è superiore ad 14 F (8 dH) consigliamo di utilizzare la macchina con addolcitore interno (disponibile su richiesta). Se la durezza dell'acqua è superiore ad 35 F (19,5 dH) installare un addolcitore esterno prima dell'elettrovalvola.
- Nel caso di concentrazioni molto alte di minerali residui nell'acqua di conducibilità elevate consigliamo l'installazione di un impianto di demineralizzazione.



Scarico libero

2.5 Collegamento alla linea di scarico

- La linea di scarico deve essere formata da un pozzetto sifonato libero di dimensioni adeguate alla portata del tubo di scarico fornito con la macchina. Il tubo deve poter raggiungere il pozzetto, senza essere tirato, costretto, piegato, schiacciato, premuto o forzato da nulla.
- Lo svuotamento della vasca avviene per gravità, quindi lo scarico deve essere ad un livello inferiore alla base della macchina.



Con pompa scarico (disponibile su richiesta)

- Qualora lo scarico non sia ad un livello inferiore alla base della macchina, è possibile usare la versione provvista di pompa scarico (disponibile su richiesta).
- In questo caso l'altezza massima dello scarico è pari ad 1 m.
- Verificare sempre che lo scarico funzioni correttamente e che non sia intasato.
- Ogni altra soluzione deve essere preventivamente concordata ed approvata dal costruttore.

2.6 Brillantante e detergente

- Il dosaggio del brillantante e detergente avviene attraverso il dosatore installato di serie sulla macchina, se previsto dal modello.
- Il dosaggio viene stabilito in base alla durezza dell'acqua dal tecnico installatore, il quale provvederà anche alla taratura dei dosatori stessi.
- Prima di procedere con la taratura, riempire i tubi di alimentazione dei dosatori con il relativo prodotto.
- La taratura si effettua tramite le corrispondenti viti di regolazione, o direttamente dal pannello comandi se prevista.
- Il livello dei liquidi nel contenitore deve essere sufficiente al pescaggio; non va mai fatto scendere fino allo svuotamento né rabboccato con prodotti corrosivi o impuri.

Non utilizzare MAI detergenti a base di CLORO o IPOCLORITI.

L'installazione di un dosatore automatico del detergente è sempre raccomandata.

Cap 3 RISCHI ED AVVERTENZE IMPORTANTI

- Questo apparecchio è destinato solo all'uso per il quale è stato espressamente concepito. Ogni altro uso è da considerarsi improprio e quindi pericoloso.
- Il personale specializzato che effettua l'installazione è tenuto ad istruire adeguatamente l'utente circa il funzionamento dell'apparecchio e le eventuali misure di sicurezza da rispettare, anche fornendo dimostrazioni pratiche.
- Qualsiasi tipo di intervento sulla macchina, anche in caso di guasto, dovrà essere effettuato solamente dalla casa costruttrice o da un centro di assistenza autorizzato e da personale qualificato, utilizzando esclusivamente ricambi originali.
- Scollegare o isolare sempre la macchina dalla rete elettrica ed idrica prima di effettuare manutenzioni, riparazioni, e pulizia.
- La macchina **NON** deve essere utilizzata da personale non addestrato.
- La macchina **NON** deve rimanere sotto tensione quando non viene utilizzata.
- Non aprire **MAI** velocemente la macchina se non ha finito il ciclo.
- Non utilizzare **MAI** la macchina senza le protezioni predisposte dal costruttore.
- Non utilizzare **MAI** la macchina per lavare oggetti di tipo, forma, misura, o materiale non garantiti per il lavaggio in macchina o non perfettamente integri.
- Non utilizzare **MAI** l'apparecchio o sue parti come scala o sostegno per persone, cose o animali.
- Non sovraccaricare **MAI** lo sportello aperto delle macchine a caricamento frontale, che è dimensionato per sostenere il solo cesto carico di stoviglie.
- Non immergere **MAI** le mani nude nelle soluzioni di lavaggio.
- Non rovesciare **MAI** la macchina dopo l'installazione.
- Se si nota un mal funzionamento o perdite di liquidi scollegare immediatamente la corrente elettrica e chiudere l'alimentazione idrica.
- Non posizionare la lavastoviglie vicino a fonti di calore superiori a 50°C.
- Non lasciare **MAI** la lavastoviglie esposta ad agenti atmosferici (pioggia, sole, ecc.)
- La lavastoviglie non deve essere installata in ambienti esterni privi di ripari adeguati.
- Non mettere mai in funzione un programma lavaggio senza il troppopieno, se previsto.
- Non avvicinare mai oggetti magnetici alla macchina.
- Non utilizzare la parte superiore della macchina come piano di appoggio.
- Il tecnico installatore ha l'obbligo di verificare la buona efficienza della terra.
- Alla fine del collaudo il tecnico installatore ha l'obbligo di rilasciare una dichiarazione scritta riguardo alla corretta installazione e collaudo secondo ogni normativa e regola d'arte.
- **NON** modificare la posizione o manomettere gli elementi che compongono la macchina, tali operazioni potrebbero compromettere la sicurezza della stessa.
- Livello di pressione acustica ponderata $L_pA \leq 70$ dB(A).

3.1 Normali condizioni di servizio

Temperatura ambiente : 40°Cmax /4°Cmin (media 30°C)
Altitudine : fino a 2000 metri
Umidità relativa : Max 30% a 40°C / max 90% a 20°C

Cap 4 USO DELLA MACCHINA

4.1 Legenda e simbologia

Con riferimento alla **Fig.1**:

1	PULSANTE E LED ON/OFF	4b	DISPLAY TEMPERATURA RISCIAQUO
2	PULSANTE SELEZIONE PROGRAMMI	5	LED DI CICLO
3	PULSANTE START	6	LED DI STATO
4	PULSANTE PARTENZA AUTOMATICA (solo capot)	7	LED PARTENZA AUTOMATICA (solo capot)
4a	DISPLAY TEMPERATURA LAVAGGIO		



Lavaggi breve



Ciclo di scarico



Lavaggio medio



Lavaggio continuo



Lavaggio lungo

4.2 Accensione

Con riferimento alla **Fig.2**

- Inserire l'interruttore generale dell'elettricità, aprire il rubinetto esterno dell'acqua.
- Verificare la presenza del troppopieno.
- Premere il tasto **ON/OFF (1)**.
- Il **LED DI STATO (6)** lampeggia con colore rosso fino al raggiungimento del livello.
- Al raggiungimento del livello vasca il **LED DI STATO (6)** si spegne.
- Il punto verde in angolo ai **DISPLAY TEMPERATURA (4a - 4b)** sta ad indicare il riscaldamento dell'acqua di lavaggio o di risciacquo.
- Al raggiungimento della temperatura di lavoro il **LED DI STATO (6)** rimane acceso verde.
- Le condizioni ottimali per iniziare a lavare sono raggiunte.

4.3 Preparazione cesto

Con riferimento alla **Fig.3**, per un corretto funzionamento della macchina, seguire le seguenti regole:

- Usare un cesto adeguato, riempiendolo senza sovraccaricarlo e senza sovrapporre le stoviglie.
- Effettuare sempre lo sbarazzo preliminare delle stoviglie; non mettere stoviglie con residui secchi o solidi.
- Posizionare i recipienti vuoti rovesciati nel cesto.
- Inserire piatti e simili nell'apposito cesto inclinati, con la superficie interna rivolta verso l'alto.
- Nel cestello apposito inserire le posate miste, con l'impugnatura rivolta verso il basso.
- Non sistemare posate d'argento e d'acciaio inossidabile nello stesso cestello portaposate in quanto ne risulterebbe la brunitura dell'argento e la probabile corrosione dell'acciaio.
- Lavare le stoviglie subito dopo l'uso per evitare l'indurimento e la fissazione dello sporco.
- Usare solo stoviglie integre e garantite per il lavaggio a macchina.

4.4 Selezione e avvio ciclo

4.4.1 lavastoviglie sottobanco

- Selezionare il ciclo di lavaggio adeguato al tipo di stoviglie premendo ripetutamente il tasto **SELEZIONE PROGRAMMI (2)** il led di ciclo si illumina ad indicare il ciclo prescelto (**Fig.4**).
- Per avviare il programma premere il pulsante **START (3)**; il **LED DI CICLO (5)** corrispondente al lavaggio scelto inizia a lampeggiare.
- A ciclo ultimato rimane acceso in modo fisso.
- Per una rapida asciugatura delle stoviglie, a fine ciclo estrarre subito il cesto dalla macchina.
- Per terminare in anticipo il ciclo di lavaggio, premere il tasto di **START (3)**.

4.4.2 Lavastoviglie a capot

- Selezionare il ciclo di lavaggio adeguato al tipo di stoviglie premendo ripetutamente il tasto **SELEZIONE PROGRAMMI (2)** il led di ciclo si illumina ad indicare il ciclo prescelto (**Fig.4**).
- Premere il pulsante **PARTENZA AUTOMATICA (4)**, il **LED PARTENZA AUTOMATICA (7)** si illumina.
Utilizzare il pulsante **START (3)** se non è presente il pulsante **4**.
- Abbassare la capot, il ciclo inizia automaticamente e il **LED DI CICLO (5)** corrispondente al lavaggio scelto inizia a lampeggiare.
- A ciclo ultimato rimane acceso in modo fisso.
- Per una rapida asciugatura delle stoviglie, a fine ciclo estrarre subito il cesto dalla macchina.
- Per terminare in anticipo il ciclo di lavaggio, premere il tasto di **START (3)**.

4.5 Lavaggio continuo (*optional)

- Si tratta di un ciclo prolungato con un tempo variabile in funzione del modello.
- La durata del ciclo può essere variata a piacere mediante la pressione durante il lavaggio del pulsante **START (3)** che interrompe il lavaggio e avvia la fase di risciacquo.

4.6 Rimozione filtro integrale

- Portare i bracci di lavaggio e risciacquo in posizione ortogonale al bordo della porta (**Fig.7**).
- Sollevare ciascun semifiltro impugnando la relativa maniglia.

4.7 Svuotamento macchina

4.7.1 Macchine senza pompa scarico

- Spegnerla la macchina.
- Rimuovere il filtro integrale se presente (**Fig.7 A**).
- Estrarre il troppopieno tirandolo verso l'alto (**Fig.8 B**), attendere che la vasca sia completamente vuota.
- Se necessario estrarre il filtro vasca ed eseguirne la pulizia (**Fig.8 C**).

4.7.2 Macchine con ciclo di scarico (*optional)

- Selezionare il ciclo di scarico mediante il pulsante **SELEZIONE PROGRAMMI (2)**.
- Se presente rimuovere il filtro integrale (**Fig.7 A**).
- Estrarre il troppopieno tirandolo verso l'alto (**Fig.9**)
- Richiudere lo sportello / capot.
- Premere il pulsante **START (3)** per avviare il ciclo.
- La macchina eseguirà un ciclo di scarico con autopulizia (*optional); al termine si spegne.
- Se necessario estrarre il filtro vasca ed eseguirne la pulizia (**Fig.8 C**).

4.8 Spegnimento della macchina

- Premere il pulsante **ON/OFF (1)**, a **DISPLAY (4)** rimangono visualizzati i segmenti centrali ad indicare la presenza di tensione.

4.9 Rigenerazione resine (*optional)

Nelle macchine dotate di addolcitore quando compare la segnalazione **SA Lt** è necessario aggiungere sale nell'apposito serbatoio; procedere nel seguente modo:

- Estrarre il cesto dalla macchina.
- Togliere il filtro integrale (**Fig.7 A**).
- Svitare il tappo del serbatoio sale (**Fig.11**).
- Versare sale da cucina in grani, 700g circa, utilizzando l'imbuto in dotazione. (se si esegue l'operazione per la prima volta riempire inizialmente il serbatoio con acqua)
- Richiudere con forza il contenitore.
- Risciacquare manualmente la zona intorno al tappo sale e eseguire un ciclo di autopulizia per evitare possibili problemi di corrosione.
- La segnalazione '**SA Lt**' scomparirà dopo alcuni minuti.

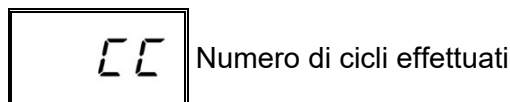
La segnalazione **rE G** a display indica che la macchina sta eseguendo il ciclo di rigenerazione resine necessario per ripristinare il corretto funzionamento dell'addolcitore, finché è presente la segnalazione i cicli avviati potrebbero risultare più lunghi del normale.

- **N.B. Non spegnere la macchina se è in corso un ciclo di rigenerazione**

4.10 Visualizzazione informazioni

A macchina accesa tenendo premuto per cinque secondi il pulsante **SELEZIONE PROGRAMMI (2)** si visualizza la dicitura "**CC**" seguita dal numero di cicli di lavaggio eseguiti nella vita della macchina.

4.11 Elenco messaggi visualizzabili



4.12 Fine servizio

- A fine giornata, svuotare sempre la macchina come descritto al paragrafo "Svuotamento macchina".
- Togliere alimentazione elettrica tramite l'interruttore generale e chiudere il rubinetto esterno dell'acqua.
- Eseguire la manutenzione ordinaria e pulire la macchina come descritto al paragrafo "Manutenzione".
- Se possibile, lasciare la lavastoviglie socchiusa per evitare la formazione di cattivi odori all'interno.

Cap 5 MANUTENZIONE

5.1 Regole generali



Prima di eseguire qualsiasi operazione di manutenzione, scaricare completamente l'acqua, togliere elettricità e chiudere la valvola esterna dell'acqua.

Non usare getti d'acqua in pressione perché potrebbero danneggiare l'impianto elettrico.

Lavare le superfici esterne solo quando sono fredde, con prodotti appositamente formulati per la manutenzione dell'acciaio.

Nel caso di possibile formazione di ghiaccio, scaricare l'acqua dal boiler e dalla pompa di lavaggio.

5.2 Pulizia

Per garantire l'efficienza della macchina devono essere eseguite periodicamente le operazioni di manutenzione indicate in seguito. È consigliato un trattamento periodico di sanitizzazione con adeguati prodotti, non corrosivi, da commercio.

5.3 Pulizia gruppo filtrante

Eeguire tale procedura a fine giornata o quando si notano residui di sporco sui filtri:

1. Togliere e pulire i cesti.
2. Svuotare la vasca seguendo le istruzioni riportate al paragrafo "Svuotamento macchina".
3. Rimuovere e pulire accuratamente tutti i filtri della lavastoviglie.
4. Per pulire la vasca d'acciaio non usare prodotti od oggetti abrasivi.
5. Al termine delle operazioni elencate riposizionare accuratamente ogni parte.

5.4 Pulizia bracci

I bracci di lavaggio e risciacquo sono facilmente asportabili per consentire la periodica pulizia degli ugelli e prevenire possibili otturazioni e/o depositi.

Procedere come segue (**Fig.10**):

- Svitare la ghiera **R** e sfilare i bracci.
- Lavare ogni parte sotto un getto d'acqua corrente, pulire accuratamente gli ugelli utilizzando eventualmente uno stuzzicadenti o piccoli utensili appuntiti.
- Pulire i perni di rotazione dei bracci all'interno della macchina e la zona d'uscita dell'acqua di lavaggio e di risciacquo.
- Riposizionare i bracci e verificarne la libera rotazione.

La macchina è dotata di un sistema di autodiagnosi in grado di rilevare e segnalare una serie di malfunzionamenti.

Anomalia		Descrizione e possibili rimedi
	Er 01	Risciacquo non effettuato. Il risciacquo delle stoviglie non è stato eseguito correttamente. Verificare la corretta pulizia degli ugelli di risciacquo.
	Er 02	Mancato scarico acqua. Lo scarico acqua non viene eseguito o viene eseguito in maniera anomala. Verificare che il tubo di scarico non sia piegato o schiacciato e che il sifone o i filtri non siano intasati. Nelle macchine dotate di troppopieno rimuoverlo prima di avviare il ciclo di scarico.
	Er 03	Anomalia ripristino temperatura risciacquo. Il ripristino della temperatura del boiler non è avvenuto entro i limiti di tempo prestabiliti durante il ciclo di lavaggio. Spegnerne e riaccendere la macchina ed eseguire un nuovo ciclo.
SAFE	Er 04	Anomalia caricamento acqua in vasca. Verificare se i collegamenti idraulici sono corretti, che sia aperto il rubinetto di alimentazione idrica. Dove previsto verificare la presenza del troppopieno. Spegnerne e riaccendere la macchina ed eseguire un nuovo caricamento.
	Er 05	Anomalia termometro vasca. (Sonda aperta) La macchina non rileva il valore della temperatura della vasca. Spegnerne e riaccendere la macchina.
	Er 06	Anomalia termometro vasca. (Sonda in corto) La macchina non rileva il valore della temperatura della vasca. Spegnerne e riaccendere la macchina.
	Er 07	Anomalia termometro boiler. (Sonda aperta) La macchina non rileva il valore della temperatura del boiler. Spegnerne e riaccendere la macchina.
	Er 08	Anomalia termometro boiler. (Sonda in corto) La macchina non rileva il valore della temperatura del boiler. Spegnerne e riaccendere la macchina.
	Er 09	Time out caricamento boiler: mancato riempimento boiler. Non è possibile effettuare il risciacquo. Controllare che il rubinetto di alimentazione idrica sia aperto. Spegnerne e riaccendere ed eseguire un nuovo ciclo.
	Er 22	Anomalia ripristino temperatura vasca: Il ripristino della temperatura della vasca non è avvenuto entro i limiti di tempo prestabiliti durante il ciclo di lavaggio. Spegnerne e riaccendere la macchina ed eseguire un nuovo ciclo.
SAFE	Er 5F	Sicurezza elettromeccanica: sono intervenuti i termostati di sicurezza del boiler o della vasca, oppure è intervenuto il pressostato di sicurezza vasca.
SAFE	Er 5L	Sicurezza livello: Livello di acqua in vasca non corretto.
ATTENZIONE! Lo spegnimento e la successiva accensione della macchina “resetta” la segnalazione, se dopo l’esecuzione delle indicazioni fornite il problema si ripresenta rivolgersi al Servizio di Assistenza Tecnica Autorizzato.		

Cap 7 REGOLAZIONI ED IMPOSTAZIONI



Le seguenti impostazioni devono essere eseguite solo da un tecnico qualificato.

I parametri sottoelencati possono essere impostati, in sede di installazione o successivamente, accedendo al menù impostazioni nel seguente modo:

- Macchina in standby con porta aperta.
- Premere contemporaneamente i pulsanti 2 e 3 (selezione ciclo e **START**) per 5 secondi e introdurre la chiave **CH 12** (pulsanti 2 e 3 per variare il parametro, 1 per confermare).
- Successivamente premendo ripetutamente il pulsante 1 (**ON/OFF**) è possibile scorrere le voci seguenti attivandole e/o variandole mediante i pulsanti 2 e 3 (il parametro modificato rimane memorizzato senza necessità di confermare). L'elenco dei parametri può variare secondo la tipologia di macchina.

	Language	Selezione della lingua
b	Boiler Temperature	Regolazione della temperatura del boiler per i programmi. Nelle versioni con boiler atmosferico (pompa risciacquo) sono presenti impostazioni diverse per ogni programma (b1 – b2 – b3)
t	Tank Temperature	Regolazione della temperatura della vasca per i programmi. Nelle versioni con pompa risciacquo sono presenti impostazioni diverse per ogni programma (t1 – t2 – t3)
tH	Thermo - Stop	Attivazione della funzione Thermostop che garantisce una corretta temperatura di risciacquo.
ES	Energy Saving	Attivazione della funzione Energy Saving che garantisce un risparmio energetico quando la macchina è accesa e non utilizzata.
dn	Detergent Pump	Azionamento manuale del dosatore detergente
bn	Rinse Aid Pump	Azionamento manuale del dosatore brillantante
rn	Manual Rinse	Azionamento manuale della pompa di risciacquo
dt	Dosage Detergent	Tempo di dosaggio detergente
bl	Dosage Rinse Aid	Tempo di dosaggio brillantante
dH	Water Hardness	Impostazione durezza acqua in ingresso (macchine con addolcitore): inserire i valori con riferimento alla tabella sottostante
sr	Set Number Service Cycles	Impostazione ed attivazione del contacikli che attiva la segnalazione manutenzione (Service)
AA	Autostart Autoenabling	Auto abilitazione della partenza automatica
CC	Cycle Counter	Contacikli

Dopo aver impostato i parametri desiderati per uscire memorizzando il tutto mantenere premuto, il pulsante 1 fino a che a display non appaiono i trattini di linea on.

7.1 Impostazione durezza addolcitore integrato

Impostare il grado di durezza dell'acqua di alimentazione **dH** nel menù impostazioni secondo quanto riportato nella seguente tabella:

Durezza misurata		dH
°fr	dGH	n°
0 ÷ 20	0 ÷ 11	1
21 ÷ 25	12 ÷ 14	2
26 ÷ 30	15 ÷ 17	3
31 ÷ 35	17 ÷ 20	4
36 ÷ 40	20 ÷ 22	5
41 ÷ 45	23 ÷ 25	6
46 ÷ 50	26 ÷ 28	7
51 ÷ 55	29 ÷ 31	8
56 ÷ 60	31 ÷ 34	9

Cap 8 SMALTIMENTO

Sulle nostre macchine non esistono materiali che richiedono particolari procedure di smaltimento.



(Applicabile nei paesi dell'Unione Europea e in quelli con sistema di raccolta differenziata)

Il marchio riportato sul prodotto o sulla sua documentazione indica che il prodotto non deve essere smaltito con rifiuti domestici al termine del ciclo di vita. Per evitare eventuali danni all'ambiente o alla salute causati dall'inopportuno smaltimento dei rifiuti, si invita l'utente a separare questo prodotto da altri tipi di rifiuti e di riciclarlo in maniera responsabile per favorire il riutilizzo sostenibile delle risorse materiali.

Gli utenti domestici sono invitati a contattare il rivenditore, o l'ufficio locale preposto per tutte le informazioni relative alla raccolta differenziata e il riciclaggio per questo tipo di prodotto.

Gli utenti aziendali sono invitati a contattare il proprio fornitore e verificare i termini e le condizioni del contratto di acquisto.

Questo prodotto non deve essere smaltito unitamente ad altri rifiuti commerciali.

Cap 9 AMBIENTE

UTILIZZO NEL RISPETTO DELL'AMBIENTE

Un utilizzo consapevole della lavastoviglie, può contribuire ad un miglior impatto ambientale adottando nell'uso quotidiano piccoli accorgimenti come:

Lavare solo cesti completi.

Spegnere la lavastoviglie se inutilizzata.

Tenere la macchina chiusa, quando è in modalità di stand by

Utilizzare programmi adeguati al grado di sporco.

Alimentare la macchina con acqua calda, se riscaldata con gas.

Assicurarsi che gli scarichi confluiscano in un impianto fognario adeguato.

Non superare le dosi consigliate dei detersivi.

Il produttore si riserva il diritto di apportare su questa lavastoviglie modifiche, elettriche, tecniche ed estetiche e/o sostituire parti senza alcun preavviso, ove lo ritenesse più opportuno, per offrire sempre un prodotto affidabile di lunga durata e con tecnologia avanzata.

